

resideo



Braukmann D05FS

Installation instructions

Einbauanleitung

Instructions d'installation

Installatievoorschrift

Istruzioni di montaggio

Instrucciones de instalación



Pressure Reducing Valve

Druckminderer

Décompresseur

Drukreducerklep

Valvole di riduzione della pressione

Válvula reductora de presión

1 Safety Guidelines

- Follow the installation instructions.
- Use the appliance
 - according to its intended use
 - in good condition
 - with due regard to safety and risk of danger.
- Note that the appliance is exclusively for use in the applications detailed in these installation instructions (see 2 Technical Data). Any other use will not be considered to comply with requirements and would invalidate the warranty.
- Please take note that any assembly, commissioning, servicing and adjustment work may only be carried out by authorized persons.
- Immediately rectify any malfunctions which may influence safety.

2 Technical Data

Media	
Medium:	Drinking water
Connections/Sizes	
Connection sizes:	1/2" - 2"
Nominal sizes:	DN15 - DN50
Pressure values	
Max. inlet pressure:	25 bar
Outlet pressure:	1.5 - 6 bar
Preset outlet pressure:	3 bar
Min. pressure drop:	1 bar
Operating temperatures	
Max. operating temperature medium accord. to EN 1567:	30 °C
Max. operating temperature medium (10 bar):	70 °C

3 Options

For Options visit homecomfort.resideo.com/europe

4 Assembly

4.1 Installation Guidelines

- Horizontal and vertical installation position possible
 - In vertical installation position spring bonnet with adjustment knob facing upwards
- Install shut-off valves
- The installation location should be protected against frost and be easily accessible
 - Pressure gauge can be read off easily
 - Simplified maintenance and cleaning
- To guarantee perfect functioning, a filter must be inserted ahead of the pressure reducing valve

- Provide a straight section of pipework of at least five times the nominal valve size after the pressure reducing valve (in accordance with EN 806-2)
- Requires regular maintenance in accordance with EN 806-5

4.2 Assembly instructions



CAUTION!

When using soldering connections, do not solder the connections together with the pressure reducing valve! High temperature will irreparably damage important internal working components!

- Thoroughly flush pipework
- Install pressure reducing valve
 - Note flow direction
 - Install without tension or bending stresses
- Set outlet pressure

5 Start-up

5.1 Setting outlet pressure



Set outlet pressure min. 1 bar under inlet pressure.

- Close shut-off valve on inlet
- Release pressure on outlet side (e.g. through water tap)
- Fit pressure gauge (optional)
- Close shut-off valve on outlet
- Loosen slotted screw
 - Do not remove slotted screw
- Slacken tension in compression spring
 - Turn adjustment handle counter clockwise (-) until it does not move any more
- Slowly open shut-off valve on inlet
- Turn adjuster knob until the manometer shows the desired value
- Retighten slotted screw
- Slowly open shut-off valve on outlet

6 Maintenance



In order to comply with EN 806-5, water fixtures must be inspected and serviced on an annual basis. As all maintenance work must be carried out by an installation company, it is recommended that a servicing contract should be taken out.

In accordance with EN 806-5, the following measures must be taken:

6.1 Inspection

- Close shut-off valve on outlet
- Check outlet pressure using a pressure meter when there is zero through-flow

- If the pressure is increasing slowly, the valve may be dirty or defective. In this instance, carry out servicing and cleaning (See 6.2 Maintenance)
3. Slowly open shut-off valve on outlet

6.2 Maintenance

i Do not use any cleansers that contain solvents and/or alcohol for cleaning the plastic parts, because this can cause damage to the plastic components - water damage could result.

Detergents must not be allowed to enter the environment or the sewerage system!

1. Close shut-off valve on inlet
2. Release pressure on outlet side (e.g. through water tap)
3. Close shut-off valve on outlet
4. Loosen slotted screw
 - Do not remove slotted screw



CAUTION!

There is a spring in the spring bonnet. It may cause injuries if the spring is derailing.

- Make sure tension in compression spring is slackened!

8 Troubleshooting

Problem	Cause	Remedy
Beating sounds	Pressure reducing valve is too large	Call Technical Customer Service
Water is escaping from the spring bonnet	Diaphragm in valve insert is faulty	Replace valve insert
Too little or no water pressure	Shut-off valves up- or downstream of the pressure reducing valve are not fully open	Open the shut-off valves fully
	Pressure reducing valve is not set to the desired outlet pressure	Set outlet pressure
	Filter in pressure reducing valve is contaminated	Clean or replace filter
	Pressure reducing valve is not fitted in flow direction	Fit pressure reducing valve in flow direction (note direction of arrow on housing)
The outlet pressure set does not remain constant	Filter in pressure reducing valve is contaminated or worn	Clean or replace filter
	Valve insert, sealing ring or edge of nozzle is contaminated or worn	Replace valve insert
	Rising pressure on outlet (e.g. in boiler)	Check check valve, safety group etc.

9 Spare Parts

For Spare Parts visit homecomfort.resideo.com/europe

10 Accessories

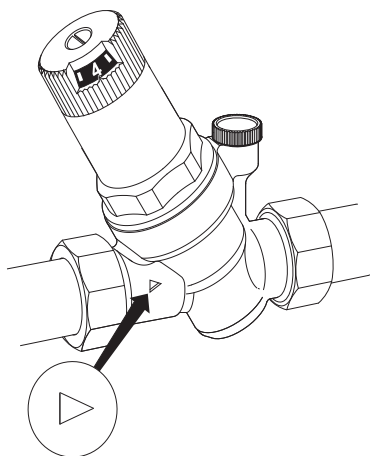
For Accessories visit homecomfort.resideo.com/europe

5. Slacken tension in compression spring
 - Turn adjustment handle counter clockwise (-) until it does not move any more
 6. Unscrew spring bonnet
 - Use double ring wrench ZR06K
 7. Remove slip ring
 8. Remove valve insert with a pair of pliers
 9. Remove filter and clean
 10. Check that sealing ring, edge of nozzle and slotted ring are in good condition, and if necessary replace the entire valve insert
 11. Reassemble in reverse order
- i** Press in diaphragm with finger before inserting slip ring
12. Adjust setting scale and set outlet pressure

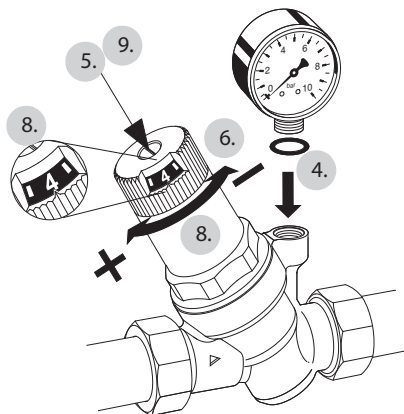
7 Disposal

Observe the local requirements regarding correct waste recycling/disposal!

4.2



5.1



6.2

