



Braukmann F76CS/FN76CS

Reverse rinsing fine filter with clear filter bowl

APPLICATION

F76CS/FN76CS reverse rinsing filters ensure a continuous supply of filtered water. The fine filter prevents the ingress of foreign bodies, for example rust particles, strands of hemp and grains of sand and thus reduces the probability of corrosion. The appliances correspond to the requirements of current DIN/DVGW specifications.

F76CS/FN76CS fine filters are especially suitable for retrofitting to, or upgrading of existing water systems. The rotatable connector piece enables the unit to be fitted where space is very restricted in either horizontal or vertical pipework.

APPROVALS

- DVGW approval for all filters with 100 µm mesh sizes

SPECIAL FEATURES

- Double Spin Technology:
 - Cartridge with external rotor enabling simultaneous cleaning in lower and upper filter areas
 - Visual function check possible
- Filtered water supplied even during reverse rinsing
- Patented reverse rinsing system - fast and thorough cleaning of the filter with small amount of water
- Memory ring indicates when next manual reverse rinsing is due
- Automatic reverse rinsing actuator with bayonet connector can be retrofitted
- Large filter surface
- Shock resistant clear synthetic material filter bowl enables easy checking of filter contamination
- Filter and complete filter bowl are replaceable
- With a retrofit D06FB-1 pressure reducing valve, can be converted to a filter combination
- Standardised discharge connection
- All materials are KTW approved
- Approved by TÜV LGA for low noise, Group 1 without limitations

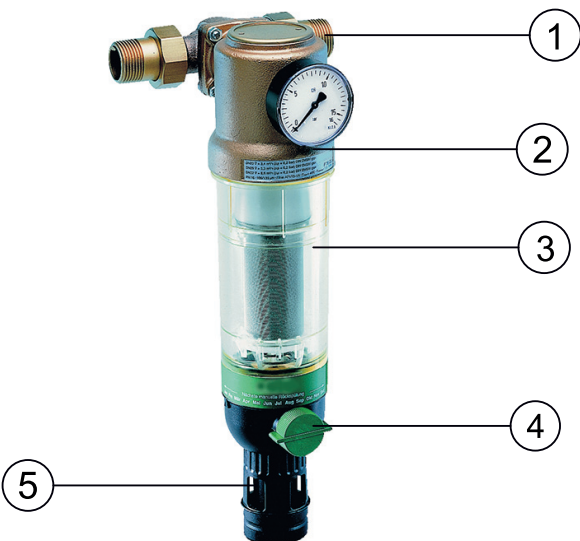


TECHNICAL DATA

Media	
Medium:	Drinking water
Connections/Sizes	
Connection sizes:	3/4" - 1 1/4"
Pressure values	
Operating pressure range:	1.5 - 16 bar
Operating temperatures	
Operating temperature range medium accord. to EN 1567:	5 °C - 30 °C
Specifications	
Installation position:	Horizontal or vertical, with filter bowl downwards

Note: The filter is constructed for drinking water installations. In case of a process water application the filter has to be proven individually.

CONSTRUCTION

Overview	Components	Materials	
	1	Threaded male connections	Brass
	2	Housing with pressure gauge	Red bronze
	3	Fine filter in clear filter bowl	Stainless steel
	4	Ball valve with drain connection	Brass (Ball Valve body), Stainless steel (ball), Plastic- durethan (drain adapter)
	5	Rotatable connector piece (F76CS only)	Red bronze
Not depicted components:			
	Double wring wrench	Plastic	
	Seals	NBR	

METHOD OF OPERATION

The filter insert is divided into two parts. In the "filtering" position, only the lower, larger section is rinsed through by water jets from outside to inside. The small upper section does not come in contact with unfiltered water. When the ball valve is opened for reverse rinsing, then the whole filter insert is pushed downwards until the water supply to the outer side of the main filter is stopped. Simultaneously, the water flow is opened to the upper part of the filter. The water needed for cleaning the filter passes through the upper filter section, then the rotating impeller and the main filter from inside to outside, i.e. the filter is reverse rinsed with filtered water. In that way the upper filter is also cleaned by jets from the impeller. The filter automatically switches back to the operating position when the ball valve is closed again.

Filters with Double Spin Technology have turbine blades which circulate the water and thereby set the rotor on the upper filter into a rotational motion. The internal impeller rinses off particles that have adhered to the upper filter at the intersecting points with the rotor.

TRANSPORTATION AND STORAGE

Keep parts in their original packaging and unpack them shortly before use.

The following parameters apply during transportation and storage:

Parameter	Value
Environment:	clean, dry and dust free
Min. ambient temperature:	5 °C
Max. ambient temperature:	55 °C
Min. ambient relative humidity:	25 % *
Max. ambient relative humidity:	85 % *

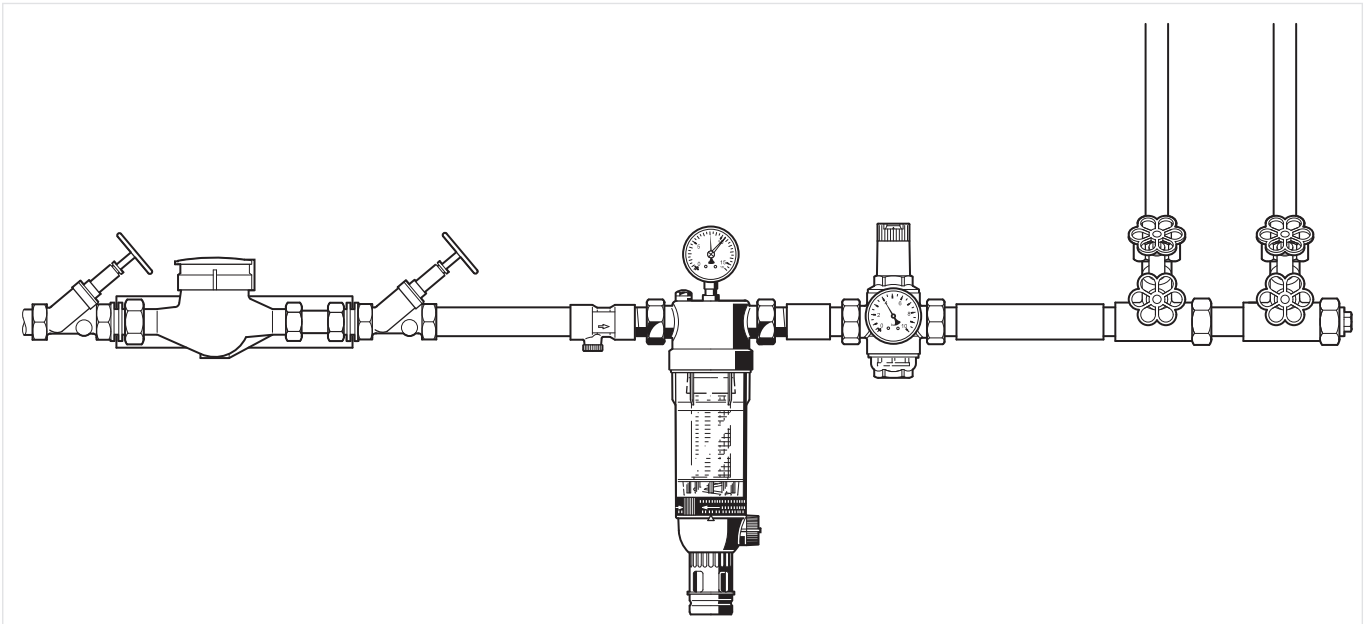
*non condensing

INSTALLATION GUIDELINES

Setup requirements

- Install in horizontal or vertical pipework with filter bowl downwards
 - This position ensures optimum filter efficiency
- Install shut-off valves
- These filters are armatures which need to be maintained regularly
- Ensure good access
 - Pressure gauge can be read off easily
 - Degree of contamination can be easily seen with clear filter bowl
 - Simplifies maintenance and inspection
- The installation location should be protected against frost
- Related to the EN 806-2 it is recommended to install the filter immediately after the water meter
- In order to avoid flooding, it is recommended to arrange a permanent, professionally dimensioned wastewater connection

Installation Example

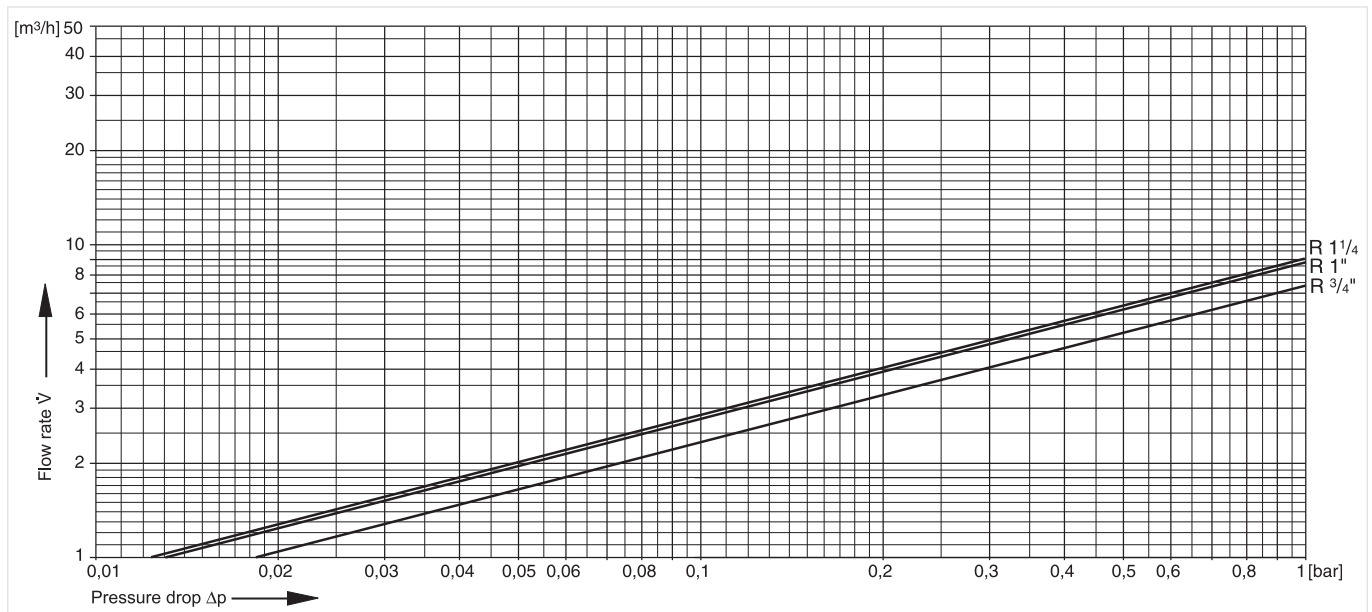


TECHNICAL CHARACTERISTICS

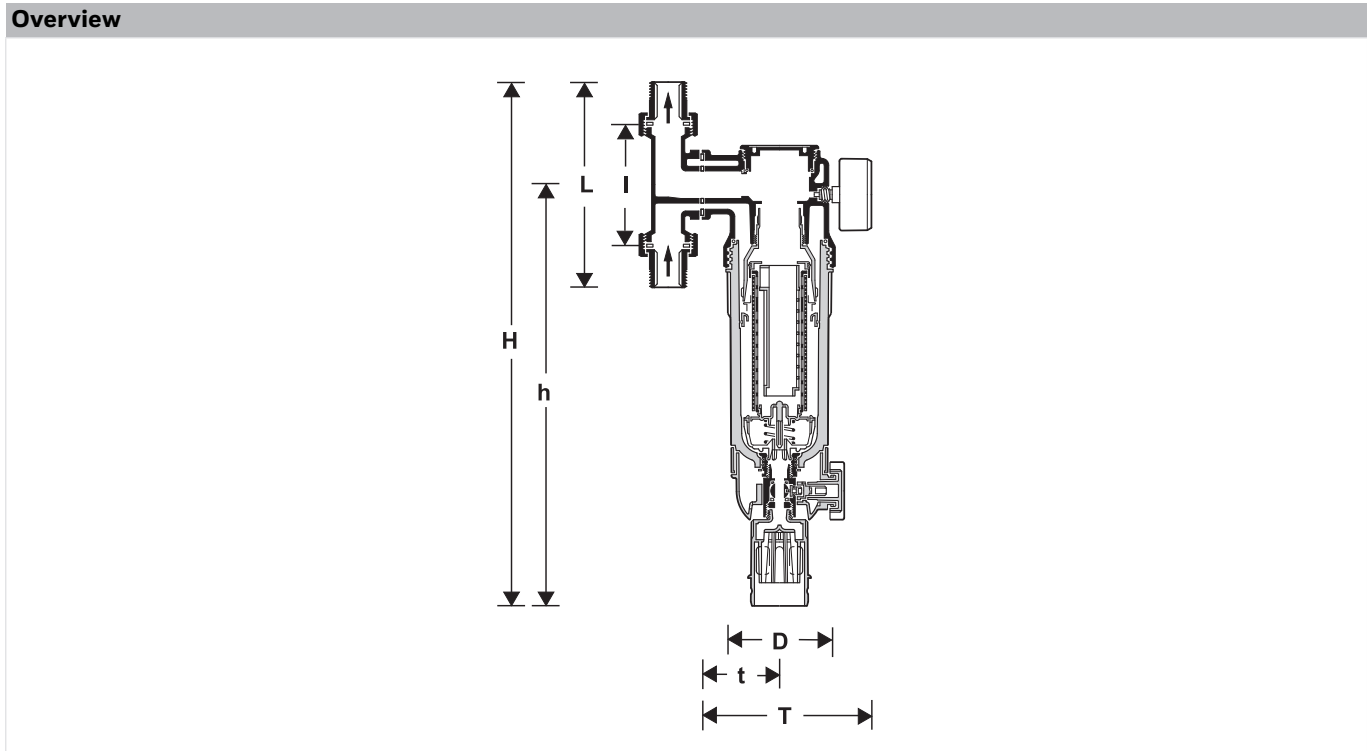
kvs-Values

Connection sizes:	20	25	32
k _{VS} -value (m ³ /h):	7.3	8.7	9.0

Pressure drop characteristics



DIMENSIONS



Parameter	Values			
Connection sizes:	R	3/4"	1"	1 1/4"
Nominal sizes:	DN	20	25	32
Weight:	kg	3.7	3.8	3.9
Dimensions:	L	158	179	197
	l	90	100	105
	T	177	177	181
	t	95	95	99
	H	442	453	463
	h	363	363	363
	D	97	97	97
Flow value at Δp=0.2 bar:	m ³ /h	3.1	8.7	3.8
DVGW registration number:	NW-9301 AT2309			
Double Spin Technology:		Yes	Yes	Yes

Note: All dimensions in mm unless stated otherwise.

ORDERING INFORMATION

The following tables contain all the information you need to make an order of an item of your choice. When ordering, please always state the type, the ordering or the part number.

Options

The filter is available in the following sizes: 3/4", 1" and 1 1/4".

- standard
- not available

		F76CS-...AA	FN76CS-1A
Connection type:	Threaded male connections, filter mesh size 100 μm	-	•
	Threaded male connections, rotatable connector piece DA74C	•	_*

* Rotatable connector piece for FN76CS-1A has to be ordered separately - see accessories

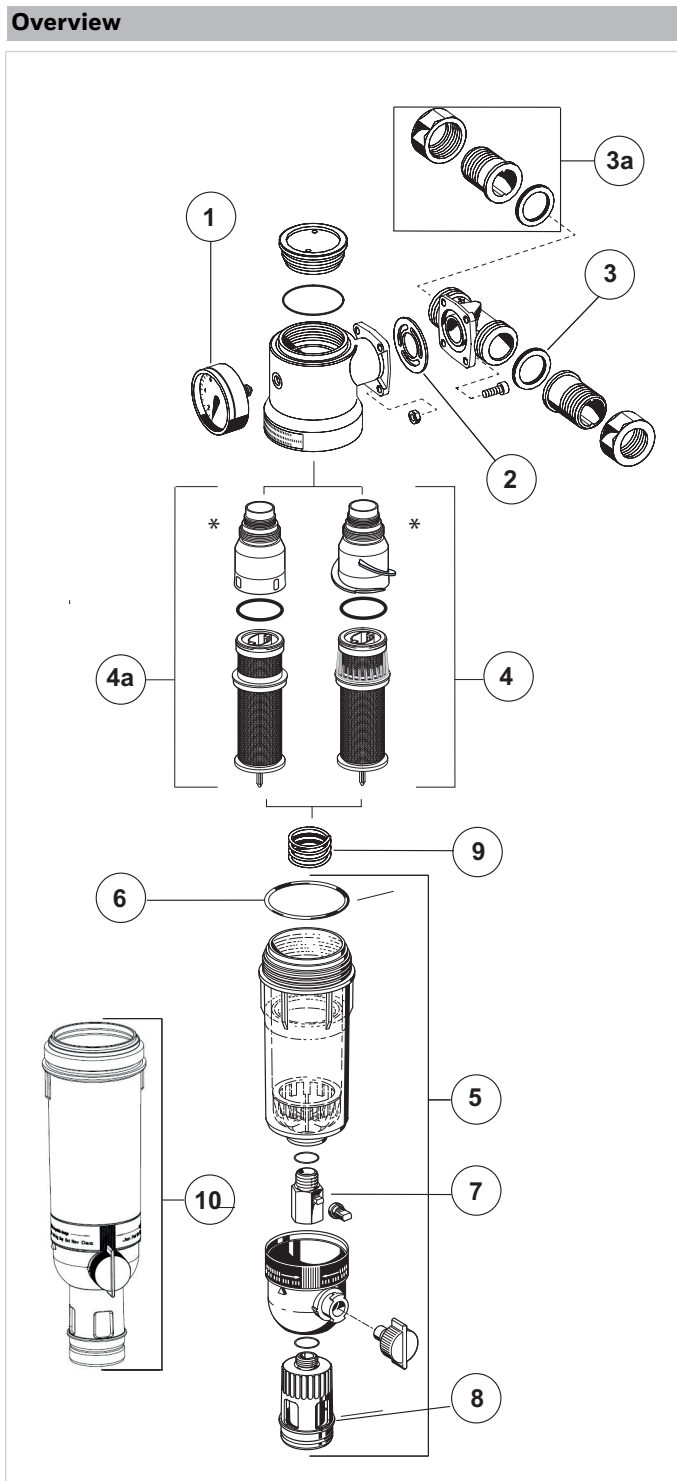
Note: ... = space holder for connection size

Accessories

	Description	Dimension	Part No.	
	Z11S	Automatic reverse rinsing actuator		
		For automatic filter cleaning at presettable intervals		
		230 V, 50/60 Hz, 10 with moulded Schuko electrical plug	Z11S-A	
		24 V, 50/60 Hz, 10 without electrical plug	Z11S-B	
	230 V, 50/60 Hz, 10 with moulded Type 12 electrical plug for Switzerland	Z11S-Z		
	0901517	Spring bonnet complete (with setting scale)		
			3/4" - 1 1/4"	0901517
	D06FB	Retrofit pressure reducing valve		
		For retrofitting to upgrade to a filter combination		D06FB-1A
	VST06B	Connection set		
		Solder connections		
			3/4"	VST06-3/4B
			1"	VST06-1B
			1 1/4"	VST06-11/4B
	DA74C	Rotatable connector piece		
		For connection of retrofit filters FN76CS.		
			3/4"	DA74C-3/4A
			1"	DA74C-1A
			1 1/4"	DA74C-11/4A
	ZR10K	Double ring wrench for removing the filter bowl		
			3/4" - 1 1/4"	ZR10K-3/4

Spare Parts

F76CS/FN76CS Filters from 1997 onwards



	Description	Dimension	Part No.
1	Pressure gauge		
		0 - 16 bar	M07M-A16
2	Flange seal		
		3/4" - 1 1/4"	5536400
3	Union seal washer (10 pcs.)		
		1/2" + 3/4"	0901444
		1"	0901445
		1 1/4"	0901446
3a	Connection set threaded connection		
		3/4"	VST06-3/4A
		1"	VST06-1A
		1 1/4"	VST06-11/4A
4	Filter insert complete*, for filters with Double Spin Technology, Filter mesh 100 µm		
		1" - 1 1/4"	AF11DS-1A
4a	Filter insert complete*, filter mesh 100 µm		
		1" - 1 1/4"	AF11S-1A
5	Clear filter bowl		
		1/2" - 1 1/4"	KF11S-1A
6	O-ring set (10 pcs.)		
		1/2" + 1 1/4"	0900747
7	Ball valve complete		
		1/2" - 2"	KH11S-1A
8	Drain connector		
		1/2" - 2"	AA76-1/2A
9	Spring		
		3/4" - 1 1/4"	2074900
10	Red bronze filter bowl		
		3/4" - 1 1/4"	FT09RS-1A

*The filter guide (either with double spin or without double spin feature) is included in the packaging of the replacement filter inserts (AF11DS and AF11S) only for the sizes 1/2" up to 1 1/4"!



Manufactured for
and on behalf of
Pittway Sàrl, Z.A., La Pièce 4,
1180 Rolle, Switzerland
by its authorised representative
Ademco 1 GmbH

For more information
homecomfort.resideo.com/europe

Ademco 1 GmbH, Hardhofweg 40,
74821 MOSBACH, GERMANY

Phone: +49 6261 810
Fax: +49 6261 81309