



## Braukmann F76S

Installation instructions

Einbauanleitung

Instructions d'installation

Instrucciones de instalación

Installatievoorschrift

Istruzioni di montaggio

Руководство по установке

Návod na montáž

Instrukcja montażu

Installationsvejledning

Instruksjoner for installasjon

Monteringsanvisning



Fine Filter

Feinfilter

Filtre fin

Filtro fino

Fijnfilter

Filtro a maglia fine

Фильтр тонкой очистки

Jemný filtr

Filtr dokladny

Fint filter

Finfilter

Finfilter

## 1 Safety Guidelines

- Follow the installation instructions.
- Use the appliance
  - according to its intended use
  - in good condition
  - with due regard to safety and risk of danger.
- Note that the appliance is exclusively for use in the applications detailed in these installation instructions (see 2 Technical Data). Any other use will not be considered to comply with requirements and would invalidate the warranty.
- Please take note that any assembly, commissioning, servicing and adjustment work may only be carried out by authorized persons.
- Immediately rectify any malfunctions which may influence safety.

## 2 Technical Data

|   |  |
|---|--|
| <b>Media</b>  |  |
| Medium:   | Drinking water                         |
| <b>Connections/Sizes</b>                                    |  |
| Connection sizes:   | 1/2" - 2"                              |
| <b>Pressure values</b>                                      |  |
| Max. operating pressure with clear filter bowl:             | 1.5 - 16 bar                           |
| Max. operating pressure with red bronze filter bowl:        | 1.5 - 25 bar                           |
| <b>Operating temperatures</b>                               |  |
| Operating temperature range medium accord. to EN 1567:      | 5 °C - 30 °C                           |
| Max. operating temperature medium (clear filter bowl):      | 40 °C                                  |
| Max. operating temperature medium (red bronze filter bowl): | 70 °C                                  |
| <b>Specifications</b>                                       |  |
| Installation position:                                      | Horizontal, with filter bowl downwards |

Note: The filter is constructed for drinking water installations. In case of a process water application the filter has to be proven individually.

## 3 Options

For Options visit [homecomfort.resideo.com/europe](http://homecomfort.resideo.com/europe)

## 4 Assembly

### 4.1 Installation Guidelines

- Install in horizontal pipework with filter bowl downwards
  - This position ensures optimum filter efficiency
- Install shut-off valves
- These filters are armatures which need to be maintained regularly
- Ensure good access
  - Pressure gauge can be read off easily
  - Degree of contamination can be easily seen with clear filter bowl
  - Simplifies maintenance and inspection
- The installation location should be protected against frost
- Related to the EN 806-2 it is recommended to install the filter immediately after the water meter
- In order to avoid flooding, it is recommended to arrange a permanent, professionally dimensioned wastewater connection

### 4.2 Assembly instructions



#### CAUTION!

When connecting the solder sockets, do not solder the sockets together with the filter. High temperatures destroy internal parts which are important to the function!

- Thoroughly flush pipework
- Install filter
  - Note flow direction
  - Install without tension or bending stresses
- Seal in pressure gauges

### 4.3 Discharge of reverse rinsing water

The reverse rinsing water must be routed to the drain channel in such a way that no backwater can occur.

To do this there are 3 options:

- Direct connection:
  - Connector DN50/70 as well as the necessary pipes and siphon (3 elbows 90°) in DN70
- Discharge into floor drain
- Drain into open container


| Filter size   | Reverse rinsing volume* |
|---------------|-------------------------|
| 1/2" and 3/4" | 12 Liter                |
| 1" and 1 1/4" | 15 Liter                |
| 1 1/2" and 2" | 18 Liter                |

\*at 4 bar inlet pressure and 3 x 3 seconds reverse rinsing duration

## 5 Commissioning

### 5.1 Reverse rinsing

During reverse rinsing, an inlet (dynamic) pressure of at least 1.5 bar is required. The reverse rinsing interval depends on the degree of dirt in the water. At the latest every 6 months, reverse rinsing should be carried out according to EN 806-5. Our recommendation at least every 2 months! To ensure convenient and regular adherence to the reverse rinsing interval, we recommend installing an automated reverse rinsing system Z11S.

 Filtered water can also be tapped during reverse rinsing.

### 5.2 Manual reverse rinsing

If reverse rinsing water is not to be discharged via a direct connection, a collecting container must be positioned beneath before reverse rinsing.


- Open ball valve by turning the reverse rinsing button to the stop point
  - Select bar must be upright
  - The patented reverse rinsing system starts
  - When filtering with Double Spin Technology, a visual function check is possible through the rotating red rotor
- Close ball valve again after approx. 3 seconds. Repeat procedure three times
  - If the filter is extremely dirty, the procedure may have to be repeated additional times

With aid of the memory ring, the next deadline for manual reverse rinsing can be booked.

### 5.3 Automatic reverse rinsing with the Z11S

The automated reverse rinsing system Z11S is available as an accessory. The automated system reliably takes over reverse rinsing of the filter at intervals which can be set between 4 minutes and 3 months.

## 6 Maintenance

 In order to comply with EN 806-5, water fixtures must be inspected and serviced on an annual basis.

## 8 Troubleshooting

| Problem                         | Cause   | Remedy                         |
|---------------------------------|---|--------------------------------|
| Too little or no water pressure | Shut-off valves upstream or downstream from filter not fully open | Open the shut-off valves fully |
|                                 | Filter mesh dirty   | Reverse rinsing                |

## 9 Spare Parts

For Spare Parts visit [homecomfort.resideo.com/europe](http://homecomfort.resideo.com/europe)

As all maintenance work must be carried out by an installation company, it is recommended that a servicing contract should be taken out.

In accordance with EN 806-5, the following measures must be taken:

### 6.1 Inspection


- The filter must be cleaned by reverse rinsing regularly, at least every 6 months. (acc. to EN 806-5) Our recommendation at least every 2 months!
- Non-compliance can lead to the filter becoming blocked. This results in a drop in pressure and decreased water flow
- The filter meshes are made of stainless steel. A red coating as a consequence of rust from the pipelines has no influence on function or the way the filter works



#### CAUTION!

Do not forget to do a visual check of the ball valve. Replace if it is dripping!

### 6.2 Maintenance

 If necessary, the outside surface of the filter can be cleaned.

Use only cold, clear drinking water to clean the surfaces! Any other cleansers cause damage to the plastic components!

- Close shut-off valve on inlet
- Release pressure on outlet side (e.g. through water tap)
- Close shut-off valve on outlet
- Unscrew filter bowl
  - Use double ring wrench ZR10K
- Remove old filter insert and replace by a new one!
- Place O-ring onto filter bowl
- Screw in filter cup hand-tight (up to max. 18Nm)
- Slowly open shut-off valve on inlet
- Slowly open shut-off valve on outlet

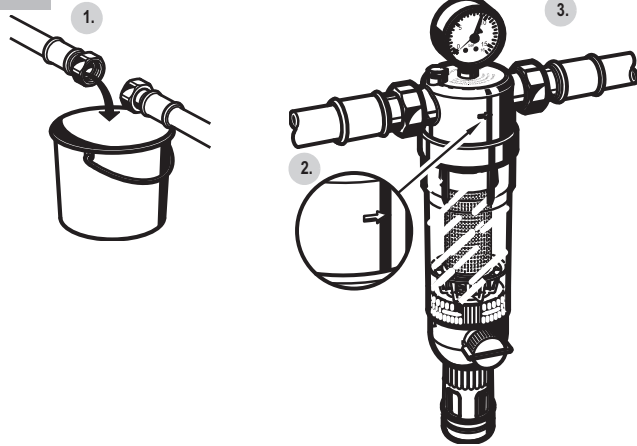
## 7 Disposal

Observe the local requirements regarding correct waste recycling/disposal!

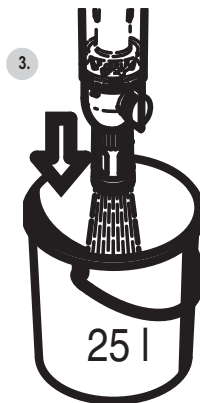
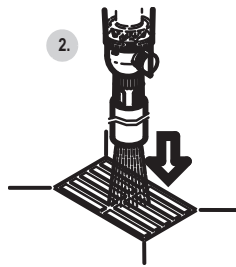
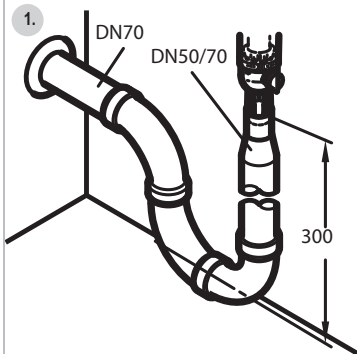
## 10 Accessories

For Accessories visit [homecomfort.resideo.com/europe](http://homecomfort.resideo.com/europe)

4.2



4.3



5.1

