

Product Data Sheet (2021-03-22)

FlexTherm LS-E 300 - 500

Storage vessel for potable hot water, for use in systems in which heat can be exchanged by external heat exchangers.



Type	Capacity [l]	Dimensions *			Insulation colour	Weight [kg]	###	Order Code
		Ø [mm]	H [mm]	Tilting height [mm]				
FlexTherm LS-E 300	304	675	1804	1884	silver	40	1	19950
FlexTherm LS-E 500	491	795	2020	2126	silver	70	1	19951

* Dimensions including insulation.



Type	Distance from floor to connection centres							
	A/C [mm]	D [mm]	G3 [mm]	G2 [mm]	E [mm]	G1 [mm]	F/M/N [mm]	I [mm]
FlexTherm LS-E 300	258	798	378	798	1131	1418	1543	1728
FlexTherm LS-E 500	283	929	437	1095	1369	1606	1723	1923

Advantages

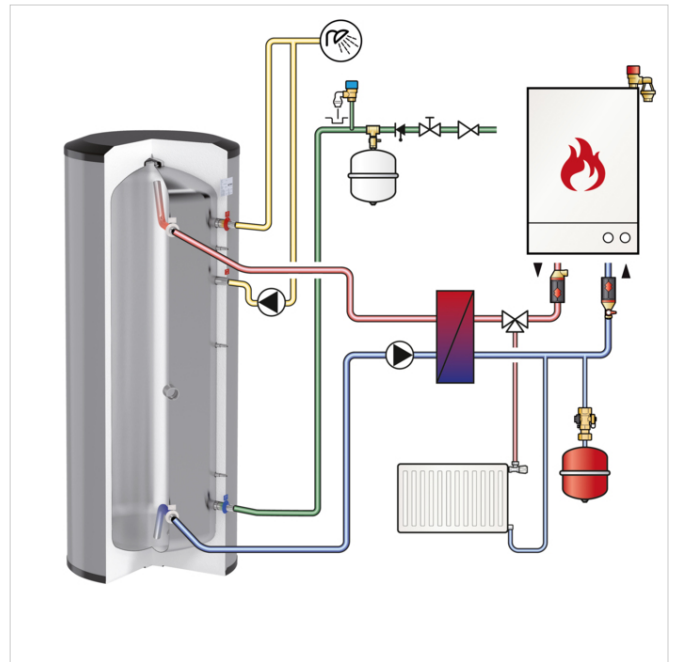
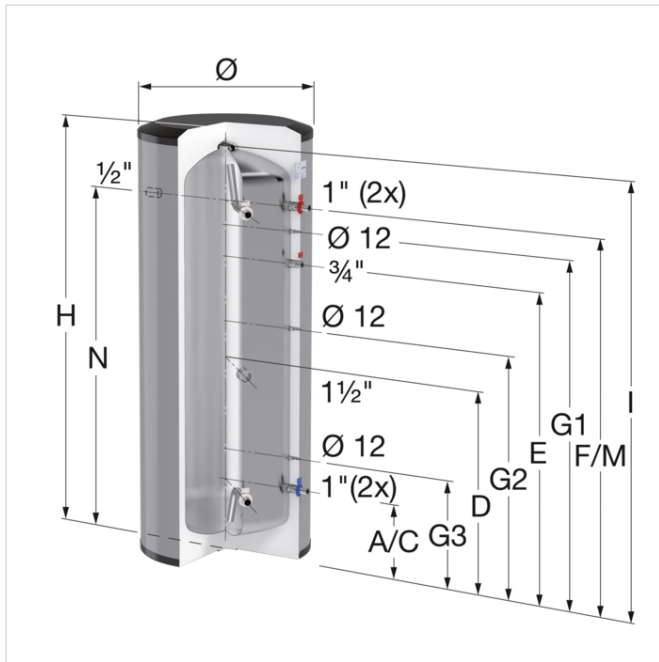
- Efficient: Minimum heat loss and very fast heating up.
- Requires little maintenance and no anode.
- Light weight.
- Excellent stratification of the water in the vessel.
- High resistance to chloride (up to 250 ppm).

Technical information

- Maximum working pressure: 10 bar.
- Maximum working temperature: 95 °C.
- Stainless steel type: 1.4521.
- Including an 1 1/2" connection suitable for connecting an additional electric heating element.
- Insulation:

Standard colour: silver.

Including graphite polystyrene (GPS) insulation (direct foam injection) with a polypropylene outer shell (fire category B2).



Find more information online:

[Manuals](#)

[Certificates](#)

[CAD drawings](#)

[Extra documentation](#)

Flamco Group
 Plotterweg 31
 3821 BB, Amersfoort - nl
T +31 33 299 75 00
E info@flamcogroup.com
I flamcogroup.com