

Product Data Sheet (2021-03-22)

FlexTherm LS-E 750 - 1000

Storage vessel for potable hot water, for use in systems in which heat can be exchanged by external heat exchangers.



Type	Capacity [l]	Dimensions *			Insulation colour	Weight [kg]	###	Order Code
		Ø [mm]	H [mm]	Tilting height [mm]				
FlexTherm LS-E 750	765	990	1867	2098	silver	81	1	19442
FlexTherm LS-E 1000	967	990	2292	2481	silver	97	1	19953

* Dimensions including insulation.



Type	Distance from floor to connection centres							
	A/C [mm]	G3 [mm]	G2 [mm]	E [mm]	G1 [mm]	F/M/N [mm]	I [mm]	J [mm]
FlexTherm LS-E 750	323	448	1003	1278	1413	1518	1753	413
FlexTherm LS-E 1000	323	488	1128	1718	1838	1943	2188	413

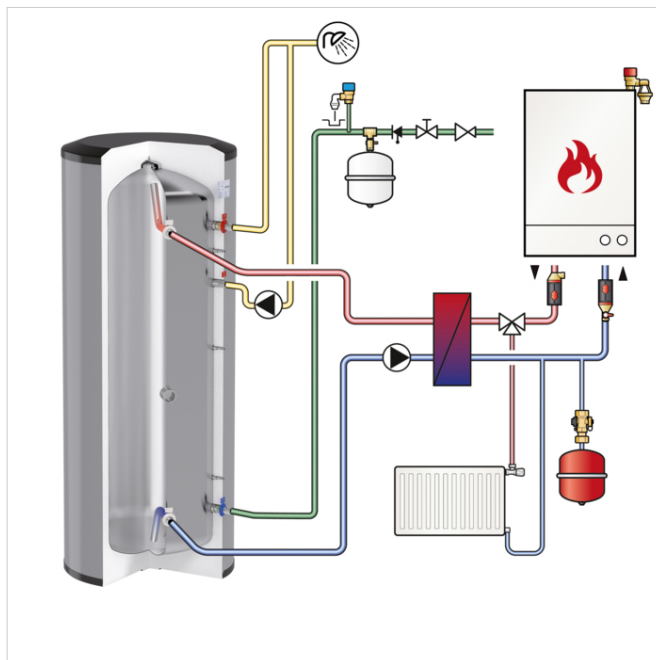
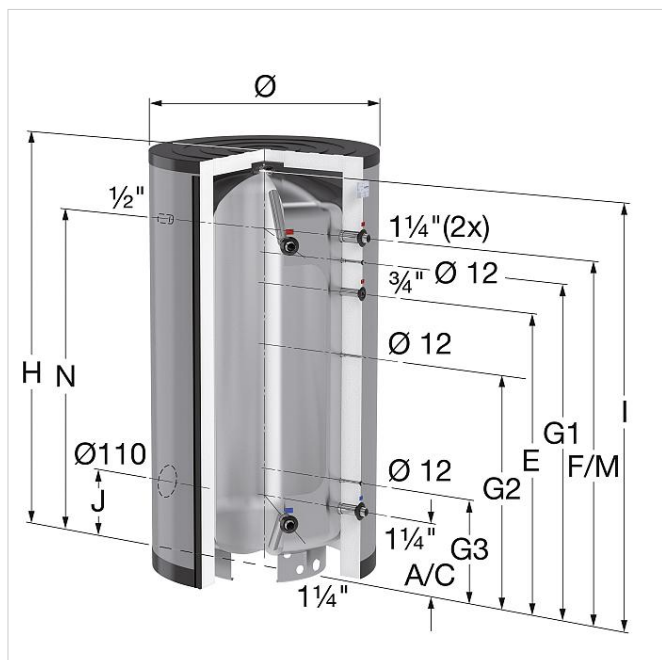
Advantages

- Efficient: Minimum heat loss and very fast heating up.
- Requires little maintenance and no anode.
- Light weight.
- Excellent stratification of the water in the vessel.
- High resistance to chloride (up to 250 ppm).

Technical information

- Maximum working pressure: 10 bar.
- Maximum working temperature: 95 °C.
- Stainless steel type: 1.4521.
- Including an inspection flange DN 110 at the side.
- Insulation:

- Standard colour: silver.
- Including graphite polystyrene (GPS) insulation with a polypropylene outer shell (fire category B1).



Find more information online:

[Manuals](#)

[Certificates](#)

[CAD drawings](#)

[Extra documentation](#)

Flamco Group
 Plotterweg 31
 3821 BB, Amersfoort - nl
T +31 33 299 75 00
E info@flamcogroup.com
I flamcogroup.com