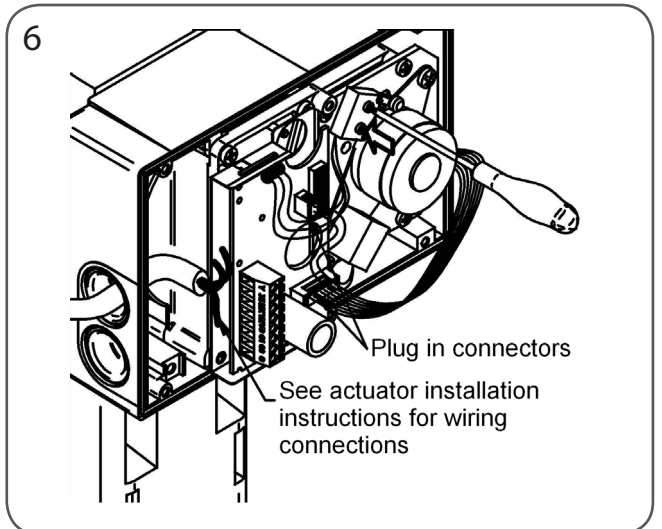
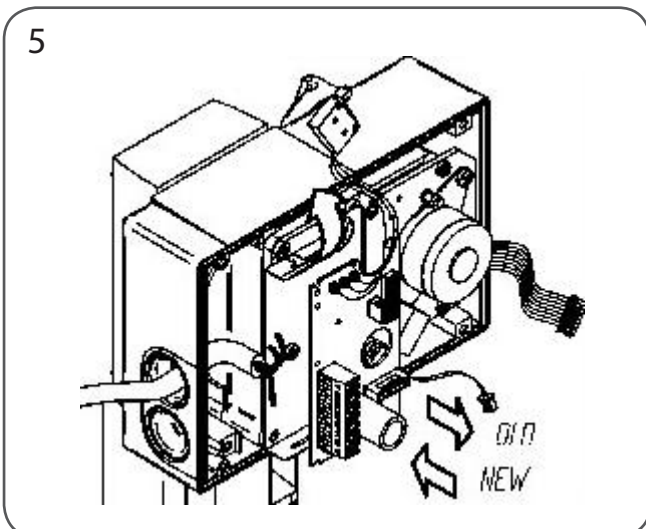
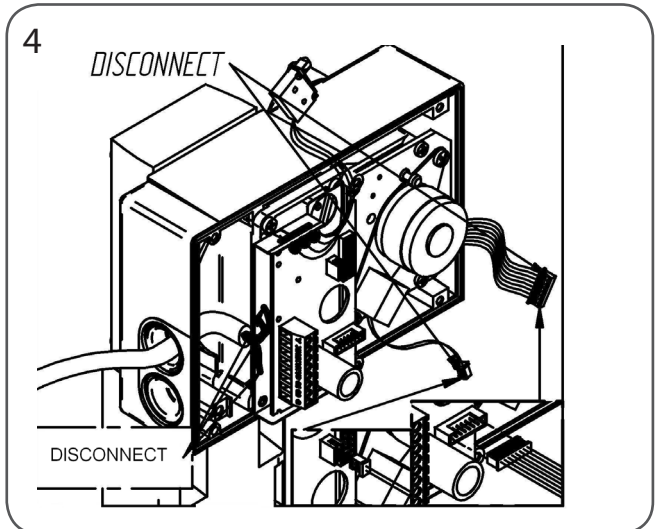
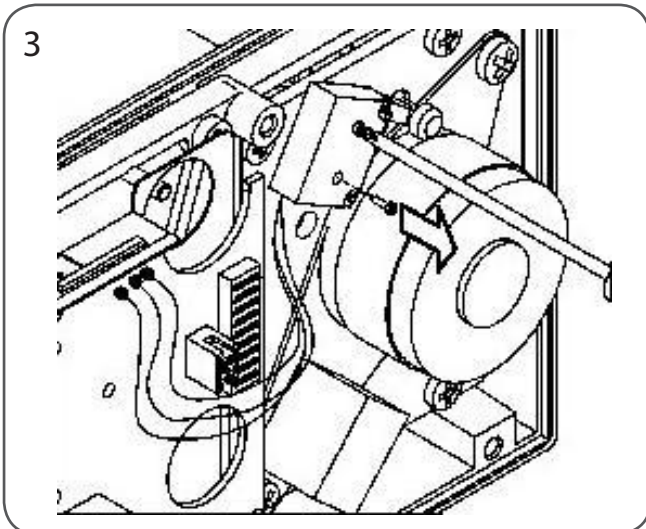
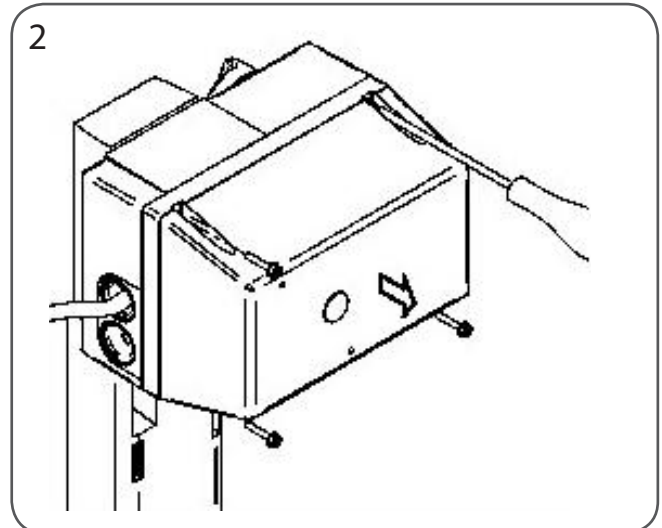
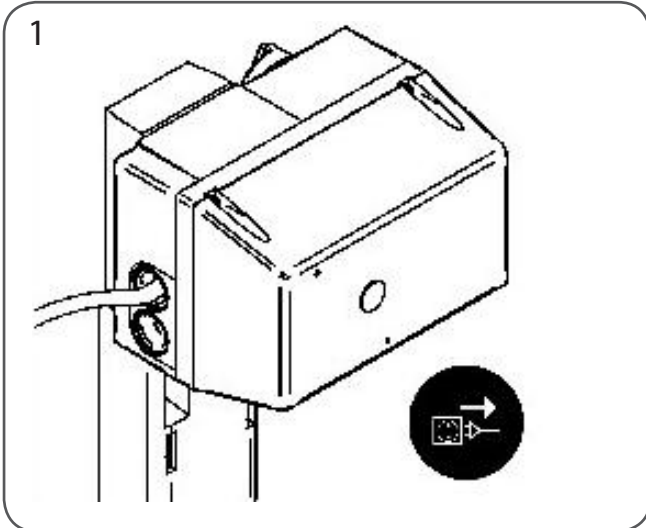


M3000

Circuit board



Hot media hazard. Before removing circuit board from actuator, ensure that the valve is in emergency position. Work should be carried out by a competent engineer.



Regulatory Notices

CE CE - Compliance to European Union (EU)

2004/108/EC Directive

This equipment complies with the rules of the Official Journal of the European Union specified in the CE (EMC) directive 2004/108/EC governing the Self Declaration of the CE Marking for the European Union.