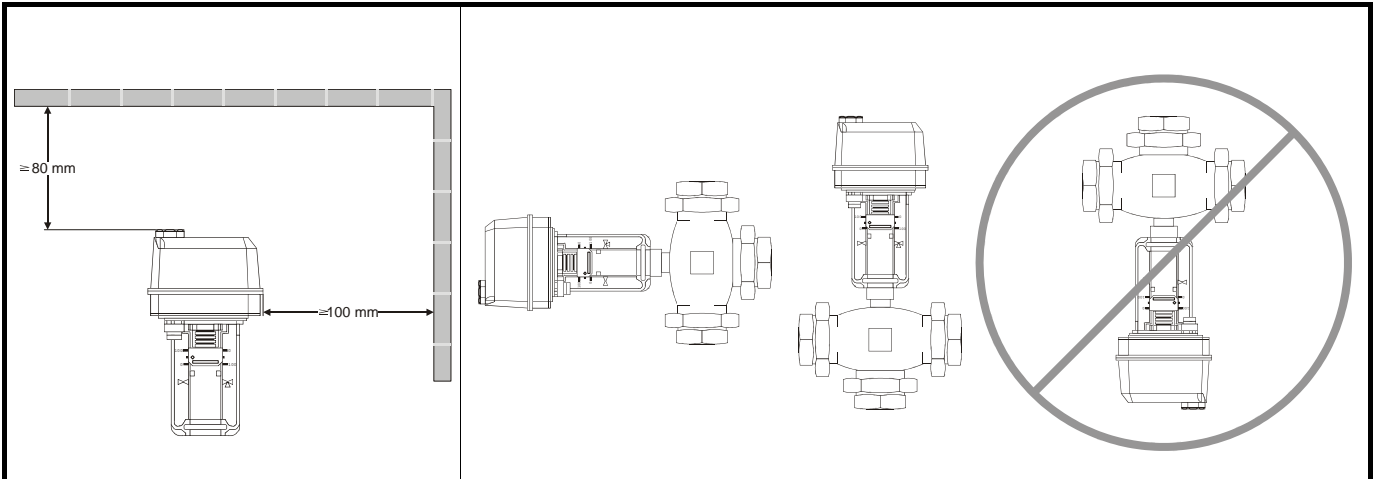


D Montageanweisung
 F Instructions d'installation
 I Istruzioni di montaggio
 NL Installatievoorschrift
 DK Installationsinstruktus
 N Installationsinstruktioner
 FIN Asennusohje
 S Installation instruktioner
 E Instrucciones de montaje

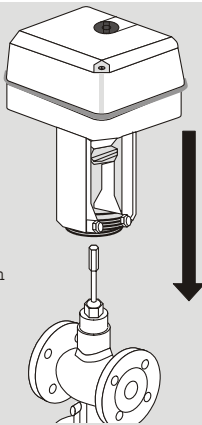
ML6420A/ML7420A Electric Linear Valve Actuators

INSTALLATION INSTRUCTIONS

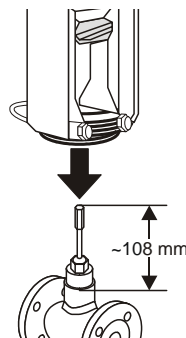


A1-A6: Installation

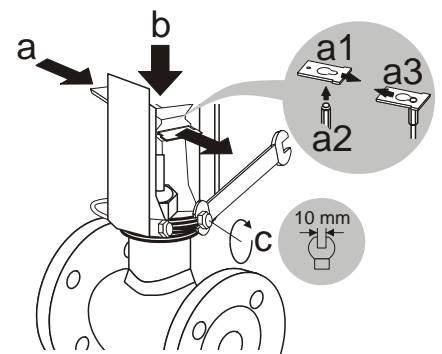
mounting
 D Einbau
 F montage
 I montaggio
 NL montage
 DK montere
 N monterning
 FIN asentaminen
 S montera
 E montaje



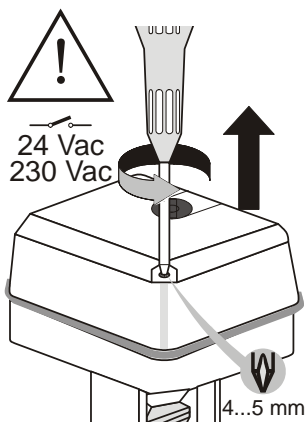
A1



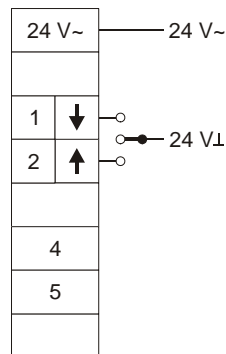
A2



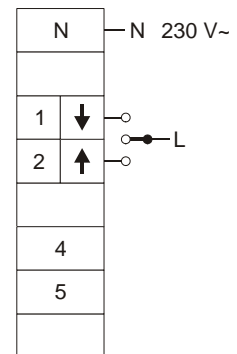
A3



A4a: ML6420A (24 V)



A4b: ML6420A (230 V)



<p>A4c: ML7420A (0/2...10 V)</p>	<p>A5a: ML7420A</p> <p>W3</p>	<p>W3</p>	<p>A5b: ML7420A</p> <p>W2</p>	<p>W2</p>
<p>A5c: ML7420A</p>	<p>A6</p>	<p>B: Manual</p>		
<p>C1-2: Dismounting</p> <p>dismounting D Ausbau F démontage I smontaggio NL demontage DK afmontere N demontere FIN purkaminen S nedmontera E desmontaje</p>	<p>C1</p>	<p>C2</p> <p>A3 → A4 → A2 → A1</p>		

Manufactured for and on behalf of the Environmental and Combustion Controls Division of Honeywell Technologies Sàrl, Ecublens, Route du Bois 37, Switzerland by its Authorized Representative:

Automation and Control Solutions

Honeywell GmbH
Böblinger Straße 17
D-71101 Schönaich / Germany
Phone: (49) 7031 637 - 01
Fax: (49) 7031 637 - 493
<http://europe.hbc.honeywell.com>

Subject to change without notice. Printed in Germany

MU1B-0234GE51 R1105B

**DIN EN ISO
9001/14001**