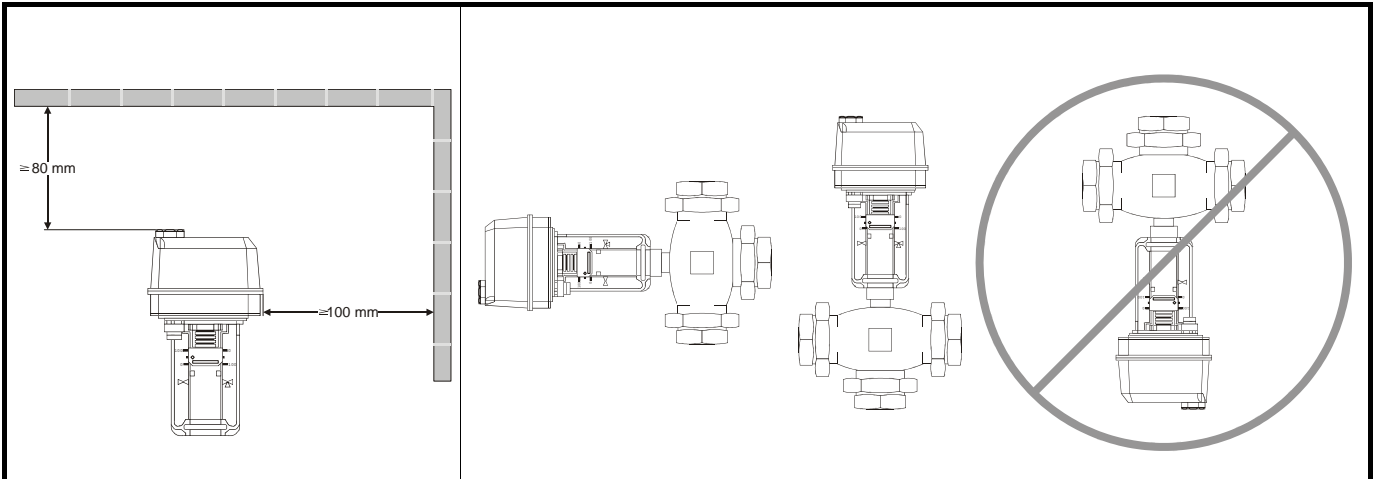


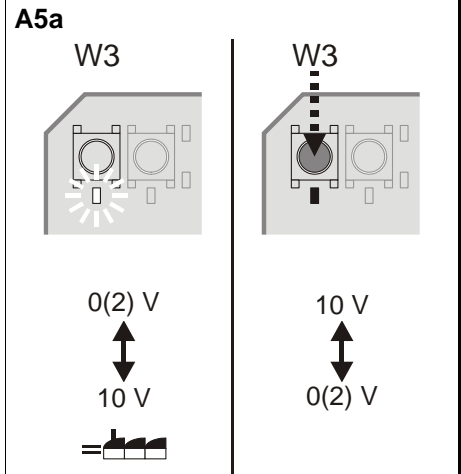
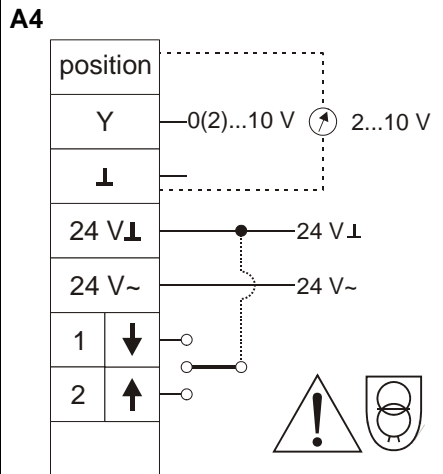
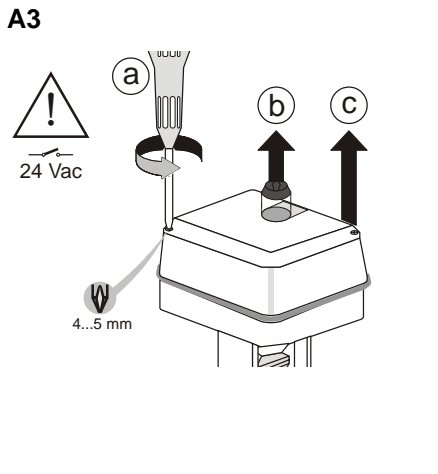
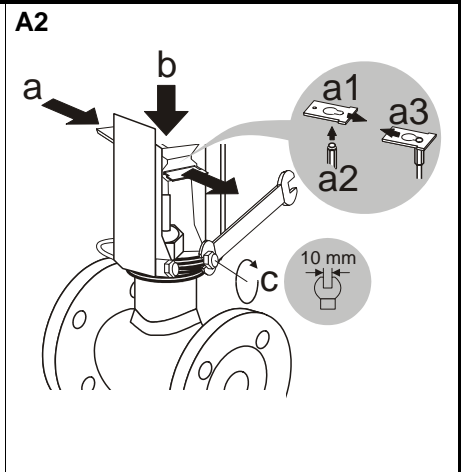
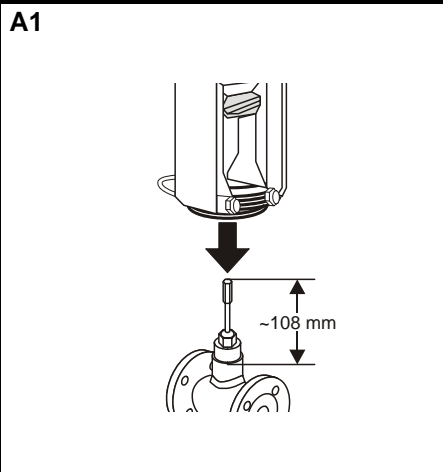
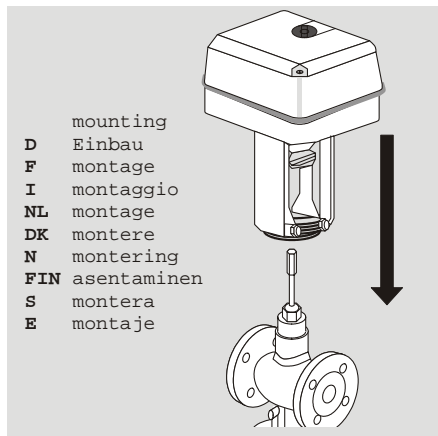
D Montageanweisung  
 F Instructions d'installation  
 I Istruzioni di montaggio  
 NL Installatievoorschrift  
 DK Installationsinstruktus  
 N Installationsinstruktioner  
 FIN Asennusohje  
 S Installation instruktioner  
 E Instrucciones de montaje

## ML7420A6009/6017 Electric Linear Valve Actuators

### INSTALLATION INSTRUCTIONS



#### A1-A6: Installation



<p><b>A5b</b></p> <p>W2</p> <p>0 ... 10 V</p> <p>W2</p> <p>2 ... 10 V</p>	<p><b>A5c</b></p> <p>W1</p> <p>X Y</p> <p>W1</p> <p>W1</p> <p>0%</p> <p>50%</p> <p>100%</p>	<p><b>A6</b></p> <p>c</p> <p>b</p> <p>a</p> <p>24 Vac</p>
---	---	---

**B: Manual**

**C1-2: Dismounting**

dismounting

D Ausbau

F démontage

I smontaggio

NL demontage

DK afmontere

N demontere

FIN purkaminen

S nedmontera

E desmontaje

**C1**

0

50%

100

**C2**

A3 → A4 → A2 → A1

**Automation and Control Solutions**

Honeywell GmbH  
 Böblinger Straße 17  
 D-71101 Schönaich / Germany  
 Phone: (49) 7031 637 - 01  
 Fax: (49) 7031 637 - 493  
<http://europe.hbc.honeywell.com>

Subject to change without notice. Printed in Germany

MU1B-0350GE51 R0606B