

MVN Rotary Valve Actuators

3-Nm Rotary Valve Actuators

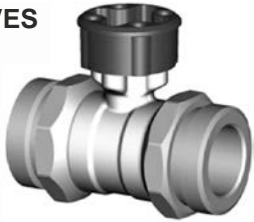
MOUNTING INSTRUCTIONS

1

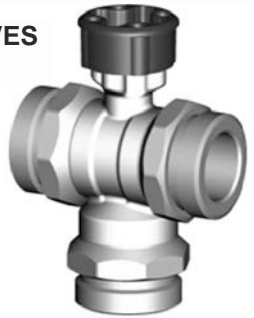
MVN613A1500, MVN663A1500, MVN713A1500




VBG 2-WAY VALVES
DN15-32



VBG 3-WAY VALVES
DN15-32

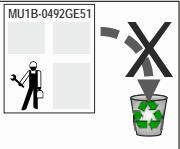


2

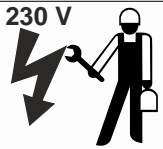




4...5 mm
PH1




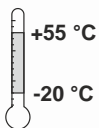
MU1B-0492GE51



230 V

LVD 2006/95/EC
EMC 2004/108/EMC
RoHS 2011/65/EC

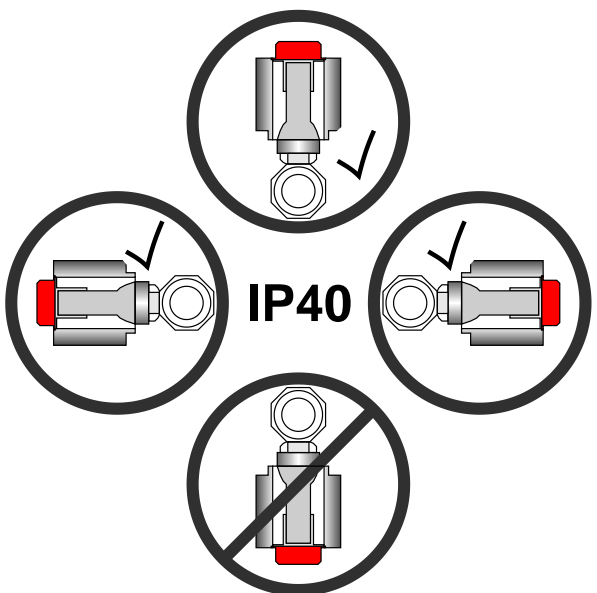




+55 °C
-20 °C

**AMBIENT
TEMPERATURE
RANGE**

3

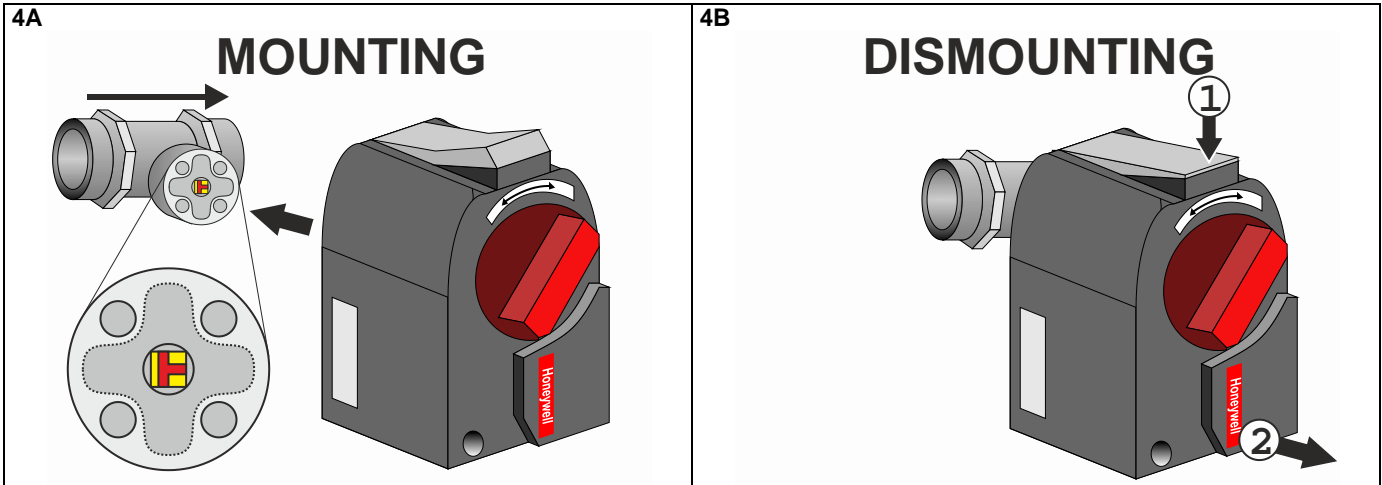


IP40

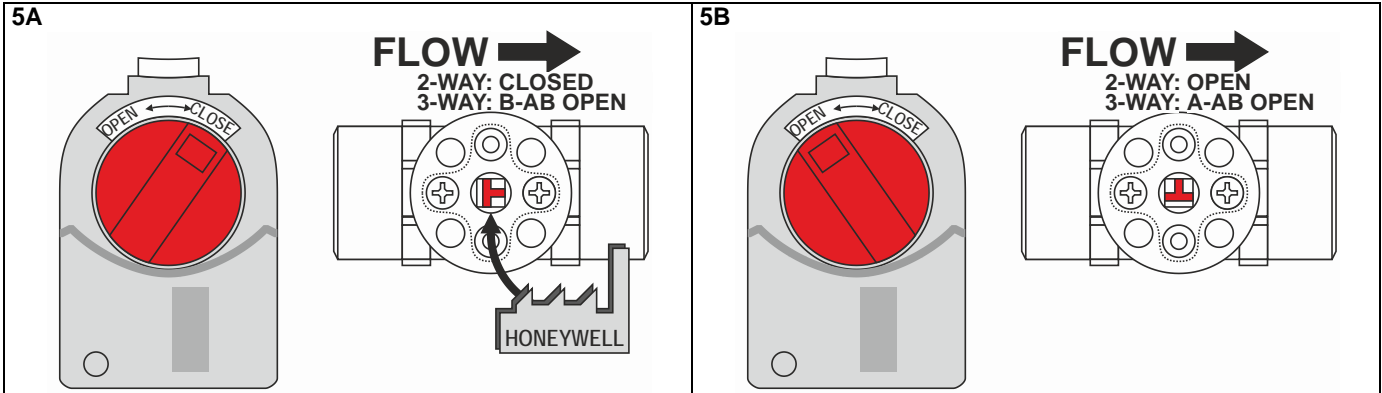
Copyright © 2014 Honeywell Inc. • All Rights Reserved
38-00018—01
MU1B-0492GE51 R0514A

38-00018-01

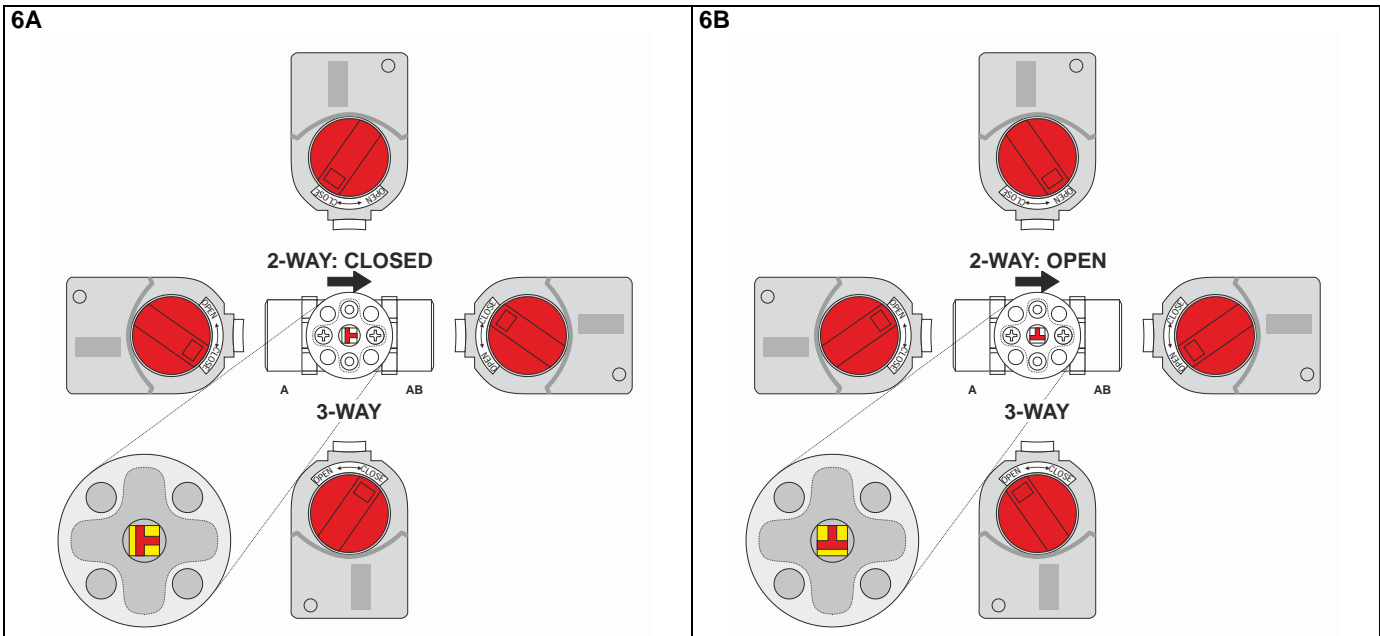
MOUNTING TO / DISMOUNTING FROM 2-WAY AND 3-WAY VALVES



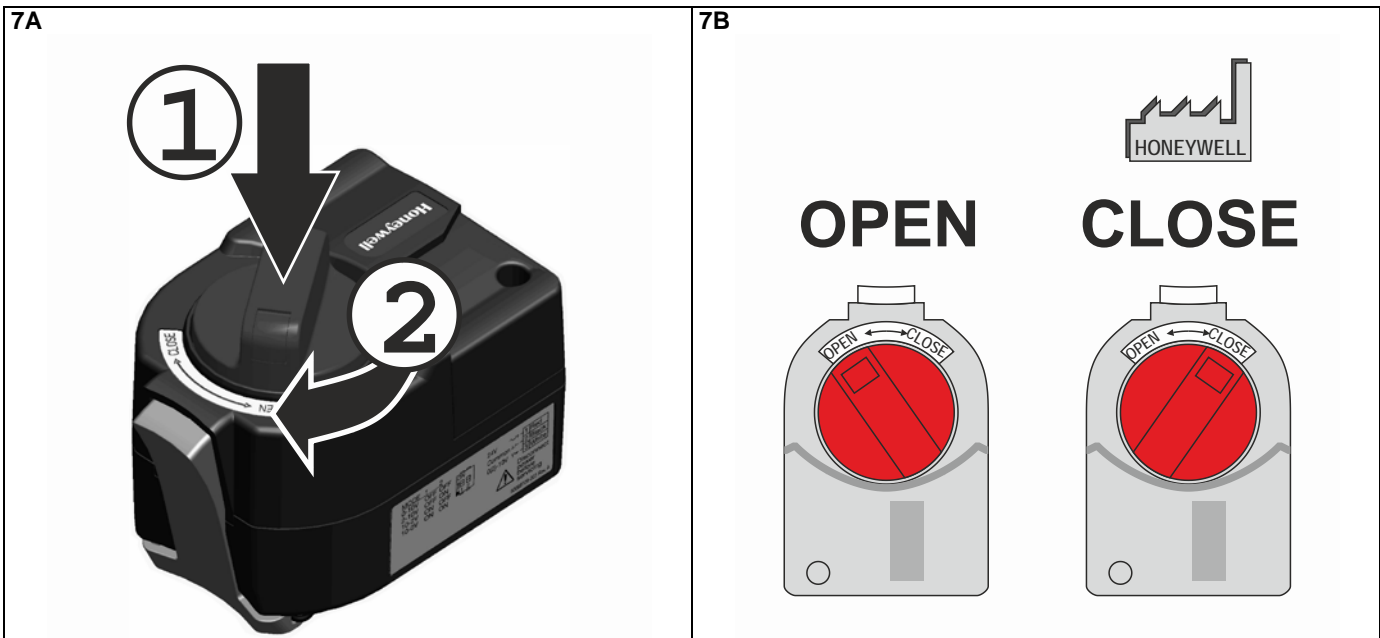
ORIENTATION OF BALL IN VALVE



MOUNTING POSITIONS OF ACTUATOR



MANUAL OPERATION



WIRING

8A: OPENING COVER

MVN663A

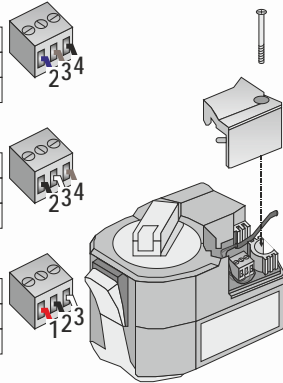
NEUTRAL	N	2	BLUE
230 VAC, CCW	L	3	BROWN
230 VAC, CW	L	4	BLACK

MVN613A

COMMON	⊥	2	BLACK
24 VAC, CCW	~	3	WHITE
24 VAC, CW	~	4	BROWN

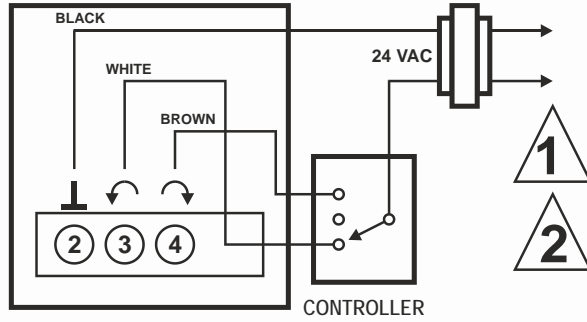
MVN713A

24 V	~/+	1	RED
COMMON	⊥/-	2	BLACK
0(2) ... 10 V	Y→	3	WHITE



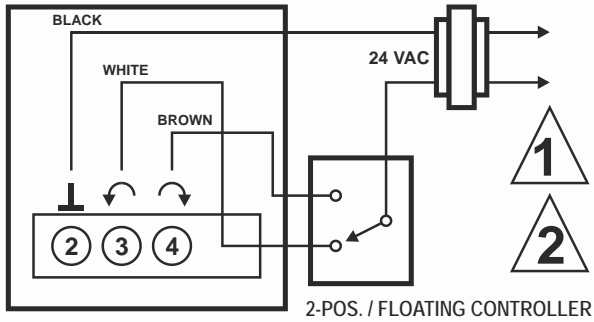
8B: MVN613A

FLOATING ACTUATOR



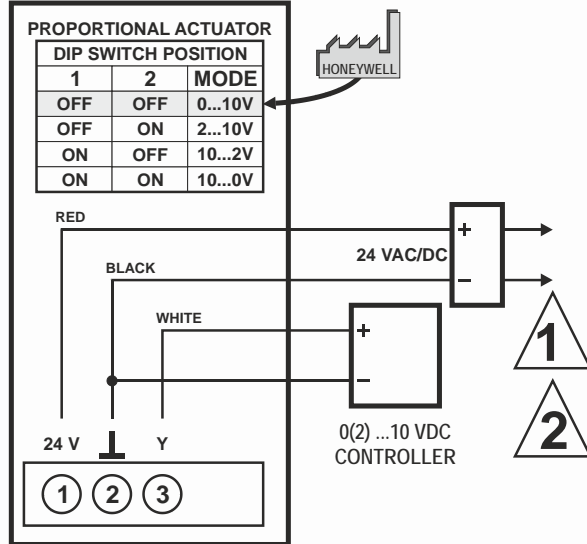
8C: MVN613A

FLOATING ACTUATOR



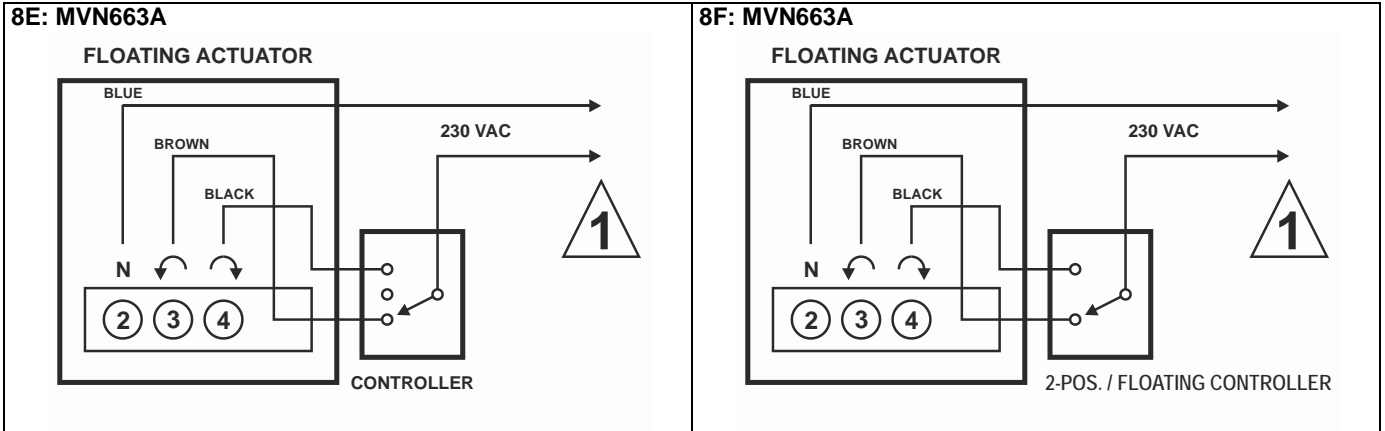
8D: MVN713A

PROPORTIONAL/MODULATING:
0(2)...10 VDC OR 10...(0)2 VDC CONTROLLER OUTPUT



1 POWER SUPPLY. PROVIDE MEANS FOR DISCONNECTING AND FOR OVERLOAD PROTECTION, AS REQUIRED.

2 SAFETY ISOLATING TRANSFORMER () IS REQUIRED.



1 LINE VOLTAGE POWER SUPPLY. PROVIDE MEANS FOR DISCONNECTING AND FOR OVERLOAD PROTECTION, AS REQUIRED.

APPROVALS, CERTIFICATIONS


Conforms to the following requirements per European Consortium (EC) standards:

- EN 60730-1/A2; 2008

Information as per EN 60730

Environmental conditions	For use in home (residential, commercial, and light-industrial) environments
Pollution degree	2 (MVN663A) 3 (MVN613A + MVN713A)
Protection class	Class II (MVN663A) Class III (MVN613A + MVN713A)
Rated impulse voltage	2.5 kV
Mode of operation	Type 1

DISPOSAL

WEEE: Waste Electrical and Electronic Equipment Directive	
	<ul style="list-style-type: none"> ▪ At the end of the product life, dispose of the packaging and product in an appropriate recycling center. ▪ Do not dispose of the device with the usual domestic refuse. ▪ Do not burn the device.

Honeywell

Manufactured for and on behalf of the Environmental and Combustion Controls Division of Honeywell Technologies Sàrl, Rolle, Z.A. La Pièce 16, Switzerland by its Authorized Representative:

Automation and Control Solutions

Honeywell GmbH
Böblinger Strasse 17
71101 Schönaich, Germany
Phone +49 (0) 7031 637 01
Fax +49 (0) 7031 637 740
<http://ecc.emea.honeywell.com>

MU1B-0492GE51 R0514A

Subject to change without notice

© U.S. Registered Trademark
© 2014 Honeywell International Inc.
38-00018—01 M.S. 06-14
Printed in United States