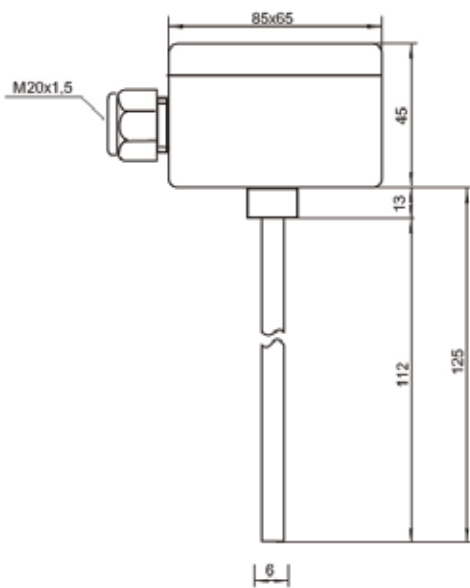


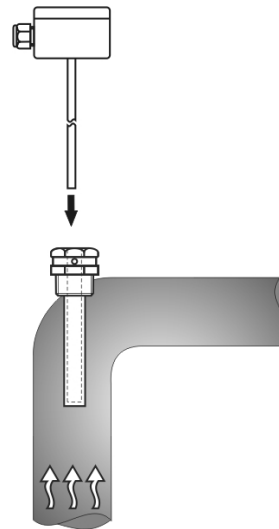


Part Number	Description	NL		Weight	
		mm	In.	g	lb
5123102010	STP100-50	63	2.48	100	0.22
5123104010	STP100-100	113	4.45	104	0.23
5123106010	STP100-150	163	6.42	107	0.24
5123108010	STP100-200	213	8.39	110	0.25
5123110010	STP100-250	263	10.35	113	0.25
5123112010	STP100-300	313	12.32	117	0.26
5123114010	STP100-400	413	16.26	125	0.28

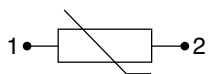
**DIMENSIONS mm (in)**



**MOUNTING**



**WIRING**



**MOUNTING**

Mount the pocket in the pipe system.

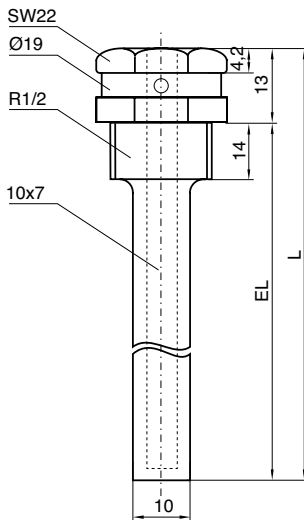
Apply some conductive paste, insert the sensor in the pocket and tighten the securing screw.

## ACCESSORIES

Part Number	Description	NL		Weight	
		mm	In.	g	lb
<b>Brass NI plated pocket PN16</b>					
9121040000	Pocket STP 50 mm	63	2.48	85	0.19
9121041000	Pocket STP 100 mm	113	4.45	100	0.22
9121042000	Pocket STP 150 mm	163	6.42	115	0.25
9121043000	Pocket STP 200 mm	213	8.39	130	0.29
9121044000	Pocket STP 250 mm	263	10.35	145	0.32
9121045000	Pocket STP 300 mm	313	12.32	160	0.35
9121046000	Pocket STP 400 mm	413	16.26	190	0.42
<b>Stainless steel pocket PN25</b>					
9121050000	Pocket STP 50 mm	63	2.48	75	0.17
9121051000	Pocket STP 100 mm	113	4.45	85	0.19
9121052000	Pocket STP 150 mm	163	6.42	95	0.21
9121053000	Pocket STP 200 mm	213	8.39	105	0.23
9121054000	Pocket STP 250 mm	263	10.35	115	0.25
9121055000	Pocket STP 300 mm	313	12.32	125	0.28
9121056000	Pocket STP 400 mm	413	16.26	145	0.32

## ACCESSORIES

Brass NI plated pocket PN16



Stainless steel pocket PN25

