

More compact, lighter, cleaner and more efficient

For use in sealed heating and cooling systems. Air and dirt separators protect the boilers, pumps and fittings from damage caused by the deposit of dirt particles, increase comfort and improve the yield. Air and dirt separators also offer benefits in the event of application in old systems or when an open system is converted to a closed system.

Increases comfort and yield. Prevents deposit of dirt particles in the boiler. The removal of air and dirt from the system water extends the service life of pumps, control equipment and other system accessories. The Flamcovent Clean Smart air and dirt separators remove even the smallest microbubbles and minuscule dirt particles from the system water. They are virtually maintenance-free and the flow resistance is negligibly low.

With an EPP insulation mantle included.

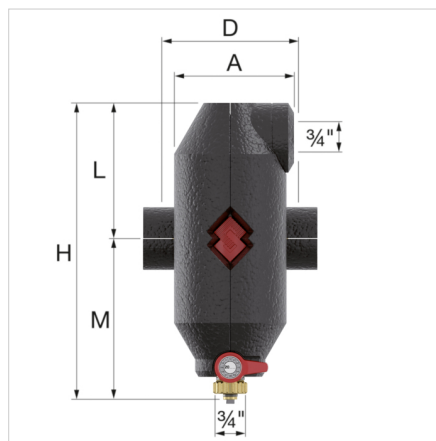
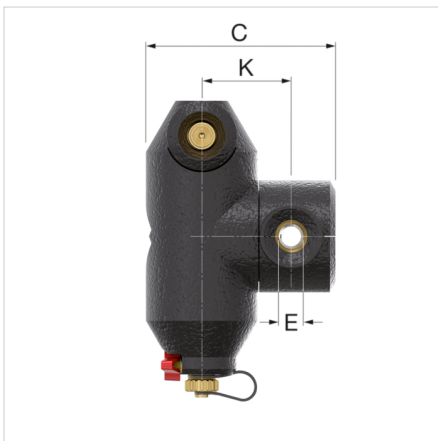



Advantages

- 60% better performance compared to conventional separators.
- Flow velocity up to 3 m/s.
- Four neodymium supermagnets are incorporated into the logo.
- Can be used with all kinds of pipework.
- Compact dimensions, light weight.
- Extremely low flow resistance and low loss of energy.
- Consistent performance throughout its service life.
- EPP insulation thickness: 20 mm.
- Insulation value (λ): 0.036 W/m

Technical Specifications

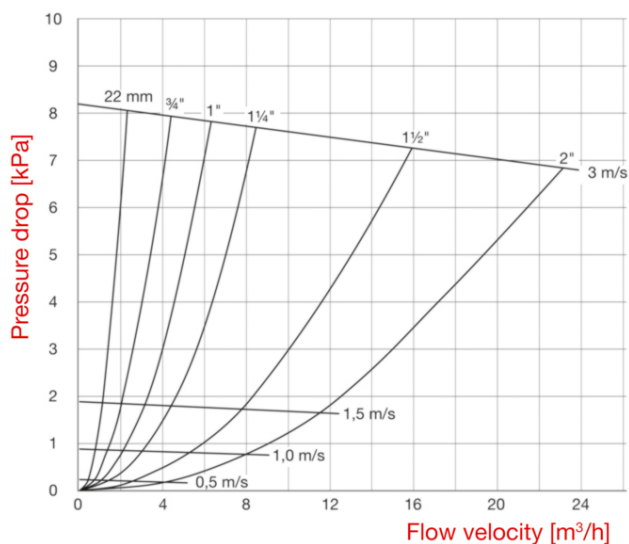
- Min./max. operating pressure: 0,2 bar / 6 bar.
- Minimum/Maximum system pressure: 0,2 bar / 10 bar.
- Minimum/Maximum working temperature: -10 °C / 120 °C.
- Suitable for addition of glycol-based anti-freeze up to 50%.



Type	Connec- tion (E)	Dimensions							Weigh- t [kg]		Order Code
		A [mm]	C [mm]	D [mm]	K [mm]	L [mm]	M [mm]	H [mm]			
Flamcovent Clean Smart EcoPlus 22	22 mm	104	164	120	78	118	140	258	1.3	1	30052
Flamcovent Clean Smart EcoPlus $\frac{3}{4}$ "	G $\frac{3}{4}$ " F	104	164	100	78	118	140	258	1.3	1	30051
Flamcovent Clean Smart EcoPlus 1"	G 1" F	117	189	106	91	157	178	335	1.6	1	30053
Flamcovent Clean Smart EcoPlus 1 $\frac{1}{4}$ "	G 1 $\frac{1}{4}$ " F	117	199	110	96	157	178	335	1.7	1	30054
Flamcovent Clean Smart EcoPlus 1 $\frac{1}{2}$ "	G 1 $\frac{1}{2}$ " F	134	224	129	109	191	212	403	2.4	1	30055
Flamcovent Clean Smart EcoPlus 2"	G 2" F	134	237	140	117	191	212	403	2.8	1	30056



Selection table for Flamcovent & Clean Smart series



Find more information online:

[Installation and operating instruction](#)

[Declaration of Conformity](#)

[Flamcovent Clean Smart ADSK](#)

[Flamcovent Clean Smart ADSK Revit](#)

[Flamcovent Clean Smart DWG](#)

[Flamcovent Clean Smart STEP](#)

[Export catalogue](#)

[Smart Brochure](#)

[Specification Text](#)

[Packaging data](#)

[Flamcovent & Clean Smart](#)

Flamco Limited
Washway Lane
UK-WA10 6PB, St Helens, Merseyside - gb

T +44 17 447 447 44

E info@flamco.co.uk

I flamcogroup.com/uk-en