

More compact, lighter, cleaner and even more efficient.

For use in sealed heating and cooling systems. Dirt separators protect the boilers, pumps and fittings from damage caused by the deposit of dirt particles. Dirt separators also offer benefits in the event of application in old systems or when an open system is converted to a closed system.

Prevents deposit of dirt particles in the boiler. The removal of dirt particles from the system water extends the service life of pumps, control equipment and other system accessories. The Flamco Clean Smart dirt separators remove even minuscule dirt particles from the system water. They are virtually maintenance-free and the flow resistance is negligibly low.

With an EPP insulation mantle included.

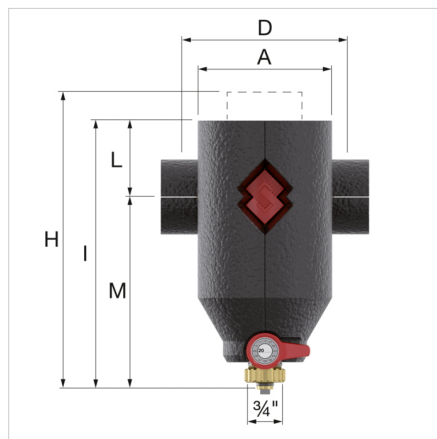
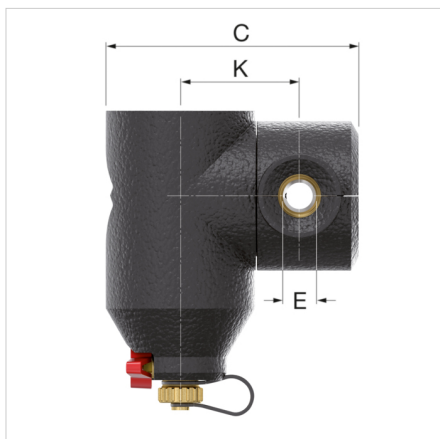



Advantages

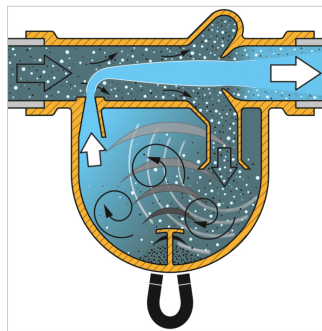
- 60% better performance compared to conventional separators.
- Flow velocity up to 3 m/s.
- Four neodymium supermagnets are incorporated into the logo.
- Can be used with all kinds of pipework.
- Compact dimensions, light weight.
- Extremely low flow resistance and low loss of energy.
- Consistent performance throughout its service life.
- EPP insulation thickness: 20 mm.
- Insulation value (λ): 0.036 W/mK.<>

Technical Specifications

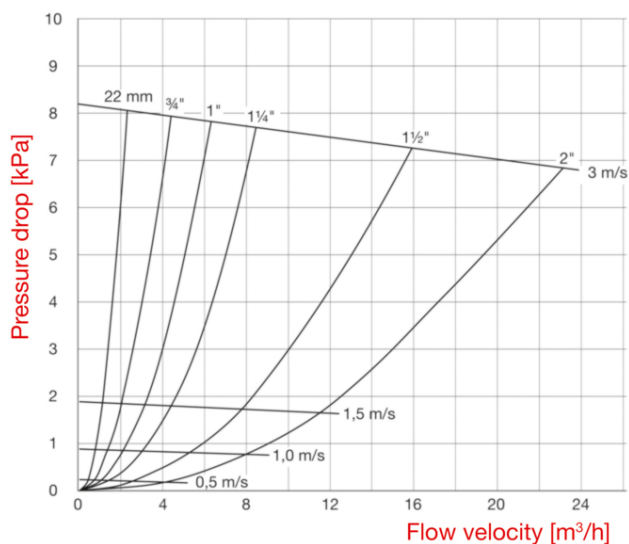
- Materials: brass and high-quality plastic.
- Minimum/Maximum working temperature: -10 °C / 120 °C.
- Minimum/Maximum system pressure: 0,2 bar / 10 bar.
- Suitable for addition of glycol-based anti-freeze up to 50%.<>
- 20 mm EPP insulation mantle with insulation value (λ) of 0.036 W/mK.



Type	Conne- tion (E)	Dimensions								Weigh t [kg]		Order Code
		A [mm]	C [mm]	D [mm]	K [mm]	L [mm]	M [mm]	H [mm]	I [mm]			
Flamco Clean Smart EcoPlus 22	22 mm	97	164	120	78	56	140	216	196	1.05	1	30032
Flamco Clean Smart EcoPlus 3/4	G 3/4" F	97	164	100	78	56	140	216	196	1.01	1	30031
Flamco Clean Smart EcoPlus 1	G 1" F	112	189	106	91	63	178	255	241	1.21	1	30033
Flamco Clean Smart EcoPlus 1 1/4	G 1 1/4" F	112	199	110	96	63	178	255	241	1.37	1	30034
Flamco Clean Smart EcoPlus 1 1/2	G 1 1/2" F	131	224	129	109	73	212	300	285	1.88	1	30035
Flamco Clean Smart EcoPlus 2	G 2" F	131	237	285	117	73	212	300	285	2.32	1	30036



Selection table for Flamcovent & Clean Smart series



Find more information online:

[Installation and operating instruction](#)

[Declaration of Conformity](#)

[Flamco Clean Smart ADSK](#)

[Flamco Clean Smart ADSK Revit](#)

[Flamco Clean Smart DWG](#)

[Flamco Clean Smart STEP](#)

[Export catalogue](#)

[Smart Brochure](#)

[Specification Text](#)

[Packaging data](#)

[Flamcovent & Clean Smart](#)

Flamco Limited
Washway Lane
UK-WA10 6PB, St Helens, Merseyside - gb

T +44 17 447 447 44

E info@flamco.co.uk

I flamcogroup.com/uk-en