

Optimum air and dirt separation combined with energy efficiency.

For use in sealed heating and cooling systems. Air and dirt separators protect the boilers, pumps and fittings from damage caused by the deposit of dirt particles, increase comfort and improve the yield. Air and dirt separators also offer benefits in the event of application in old systems or when an open system is converted to a closed system.

Increases comfort and yield. Prevents deposit of dirt particles in the boiler. The removal of air and dirt from the system water extends the service life of pumps, control equipment and other system accessories. The new steel Flamcovent Clean Smart air and dirt separators remove even the tiniest microbubbles and minuscule dirt particles from the system water. The Flamco Clean Smart performs 60% better than conventional air and dirt separators whilst the flow resistance has been reduced to a negligible level.

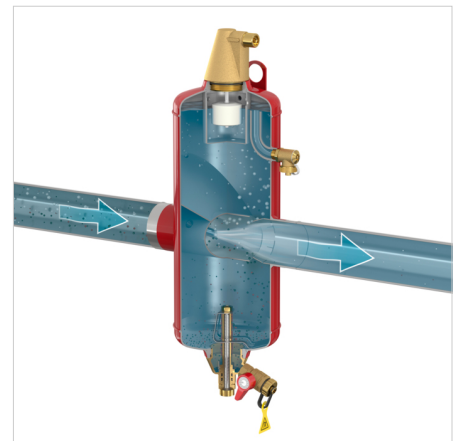
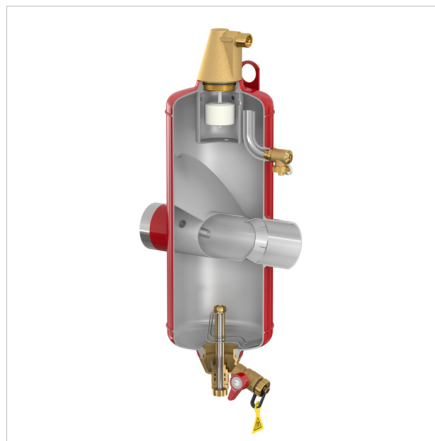
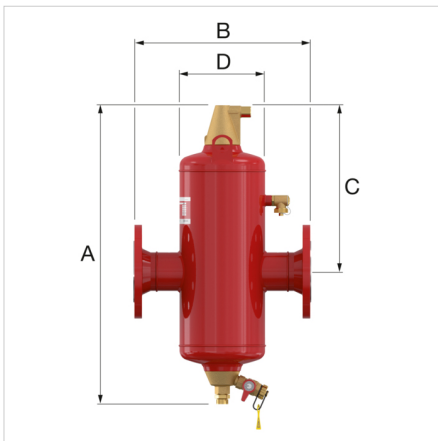
With flanged connection according to EN 1092-1 PN16.


Advantages

- Up to 60% better performance compared to conventional air and dirt separators.
- Extremely low flow resistance resulting in less energy consumption.
- Standard flow speed up to 3 m/s.
- Twenty-five neodymium supermagnets are incorporated into the dirt scraper.
- Constant performance during the entire lifespan.
- Low maintenance.

Technical Specifications

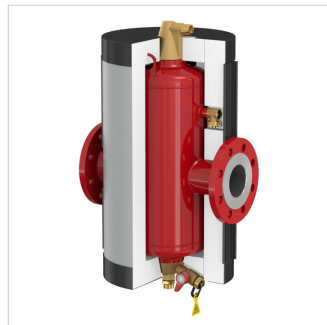
- Maximum working pressure: 16 bar.
- Models with a maximum working pressure of 25 bar are available upon request.
- Suitable for systems with a maximum flow temperature of 120 °C.
- Suitable for addition of glycol-based anti-freeze up to 50%.
- In accordance with Pressure Equipment Directive 2014/68/EU.

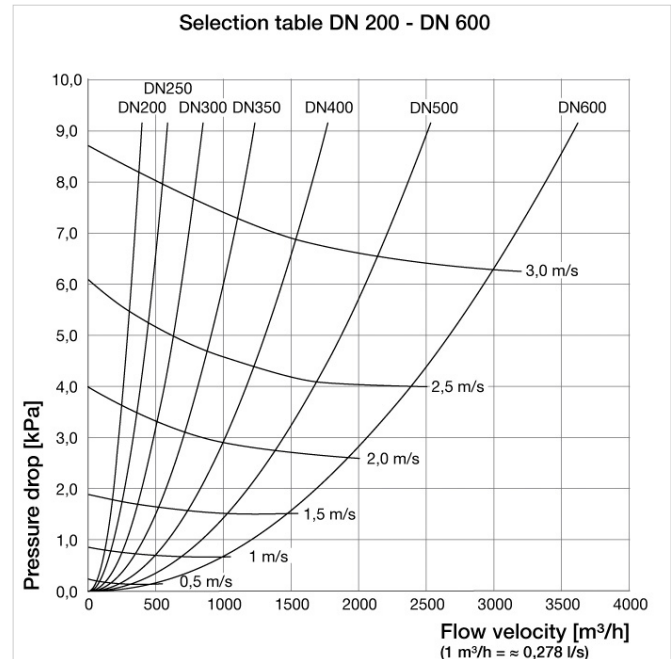
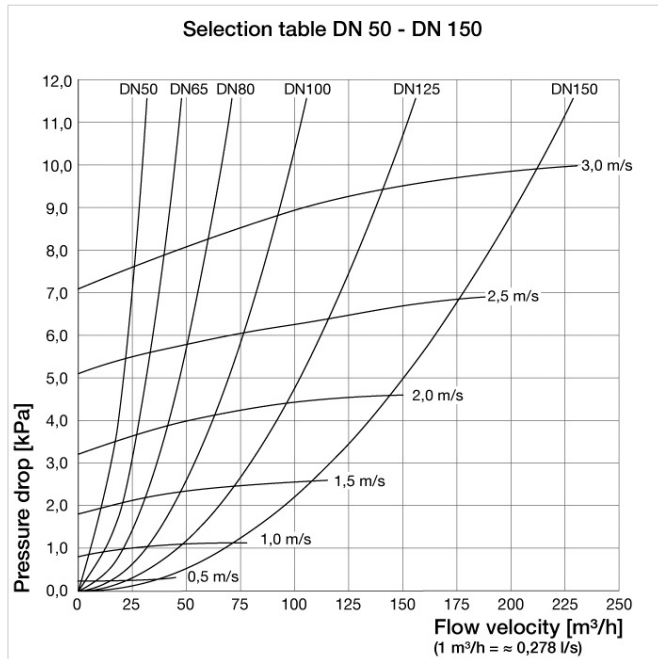


Type	Capacity [l]	Connection		Dimensions				Connection Flanges	K _v * [m ³ /h] (ΔP = 1 bar)	Weight [kg]		Order Code
		[DN]	[mm]	A [mm]	B [mm]	C [mm]	D [mm]					
Flamcovent Clean Smart 50 F **	8	50	60.3	603	350	333	175	4	93	19	1	31074
Flamcovent Clean Smart 65 F **	10	65	76.1	603	350	333	175	8	140	20	1	31075
Flamcovent Clean Smart 80 F	33	80	88.9	795	470	435	270	8	209	30	1	31076
Flamcovent Clean Smart 100 F	33	100	114.3	795	470	435	270	8	311	34	1	31077
Flamcovent Clean Smart 125 F	78	125	139.7	967	635	515	360	8	459	77	1	31078
Flamcovent Clean Smart 150 F	78	150	168.3	967	635	515	360	8	675	80	1	31079
Flamcovent Clean Smart 200 F	158	200	219.1	1280	774	705	450	12	1340	118	1	31080
Flamcovent Clean Smart 250 F	370	250	273.1	1620	990	892	600	12	1952	228	1	31094
Flamcovent Clean Smart 300 F	415	300	323.9	1784	1006	1032	600	12	2830	267	1	31095
Flamcovent Clean Smart 350 F	840	350	355.6	2028	1214	1109	800	16	4084	451	1	31096
Flamcovent Clean Smart 400 F	927	400	406.4	2201	1220	1252	800	16	5866	480	1	31097
Flamcovent Clean Smart 500 F	1768	500	508.0	2628	1580	1470	1000	20	8387	877	1	31098
Flamcovent Clean Smart 600 F	3056	600	610.0	3124	1870	1757	1200	24	11939	1679	1	31099

* $K_v = Q / \sqrt{\Delta P}$ Q: Flow [m³/h] ΔP: Pressure loss over the product (1 bar)
 Flow factor K_v: Rate of flow [m³/h] which results in a 1 bar pressure drop across the product. This is different then the maximum allowed flow rate of the product.

** CE Marked.





Find more information online:

[Installation and operating instruction](#)

[Declaration of conformity - Module A \(<= DN 65\)](#)

[Declaration of conformity - Module B \(> DN 200\)](#)

[CE PED Module D \(> DN 200\)](#)

[Flamcovent Clean Smart F ADSK](#)

[Flamcovent Clean Smart F DWG](#)

[Flamcovent Clean Smart F IPT](#)

[Flamcovent Clean Smart F STEP](#)

[Export catalogue](#)

[Smart DN50 - 600 Brochure](#)

[Specification Text](#)

[Packaging data](#)

[Flamcovent & Clean Smart](#)

[Flamcovent & Clean Smart](#)

Flamco Limited
Washway Lane
UK-WA10 6PB, St Helens, Merseyside - gb

T +44 17 447 447 44
E info@flamco.co.uk
I flamcogroup.com/uk-en