

More compact, lighter, cleaner and more efficient

For total elimination of air from heating and cooling installations.

Air separators increase comfort and improve the yield. Air separators also offer benefits in the event of application in old systems or when an open system is converted to a closed system.

Increases comfort and yield. The removal of air from the system water extends the service life of pumps, control equipment and other system accessories.

The Smart air separators remove even the smallest microbubbles from the system water. They are virtually maintenance-free and the flow resistance is negligibly low.

With an EPP insulation mantle included.

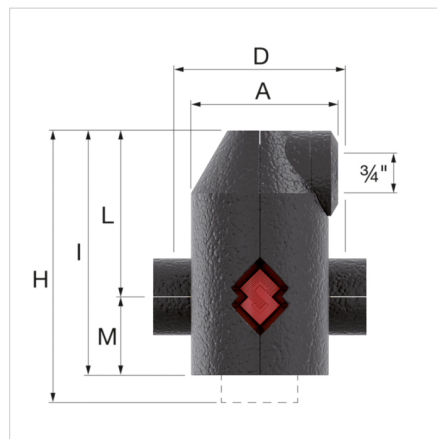
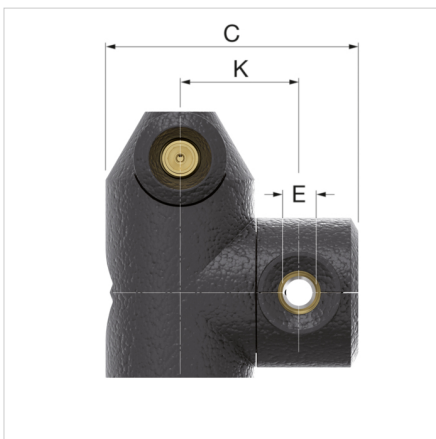



Advantages

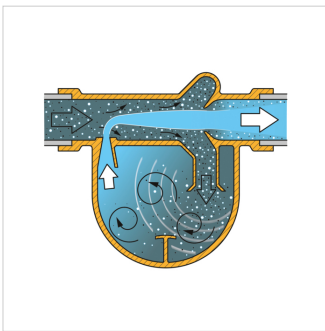
- 60% better performance compared to conventional separators.
- Flow velocity up to 3 m/s.
- Can be used with all kinds of pipework.
- Compact dimensions, light weight.
- Extremely low flow resistance and low loss of energy.
- Consistent performance throughout its service life.
- EPP insulation thickness: 20 mm.
- Insulation value (λ): 0.036 W/mK.\leftrightarrow

Technical Specifications

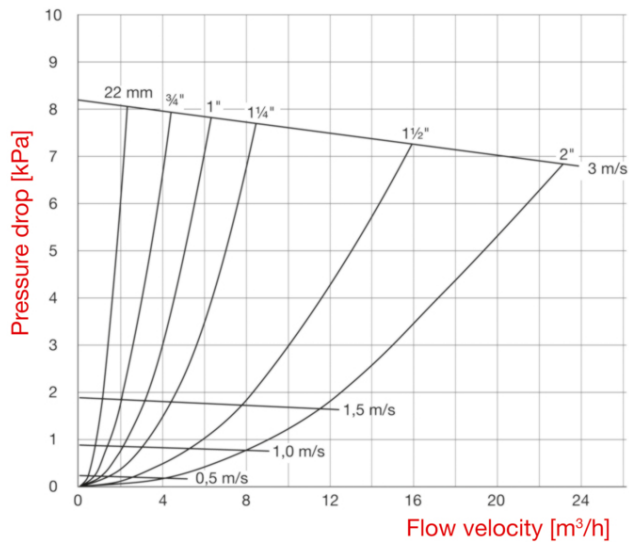
- Minimum/Maximum working temperature: -10 °C / 120 °C.
- Maximum working pressure: 10 bar.
- Suitable for addition of glycol-based anti-freeze up to 50%.



Type	Conne- tion (E)	Dimensions								Weigh- t [kg]		Order Code
		A [mm]	C [mm]	D [mm]	K [mm]	L [mm]	M [mm]	H [mm]	I [mm]			
Flamcovent Smart EcoPlus 22	22 mm	104	164	120	78	118	56	194	174	1.0	1	30012
Flamcovent Smart EcoPlus 3/4	G 3/4" F	104	164	100	78	118	56	194	174	1.0	1	30011
Flamcovent Smart EcoPlus 1	G 1" F	117	189	106	91	157	63	233	220	1.2	1	30013
Flamcovent Smart EcoPlus 1 1/4	G 1 1/4" F	117	199	110	96	157	63	233	220	1.4	1	30014
Flamcovent Smart EcoPlus 1 1/2	G 1 1/2" F	134	224	129	109	191	72	279	263	1.9	1	30015
Flamcovent Smart EcoPlus 2	G 2" F	134	237	140	117	191	72	279	263	2.3	1	30016



Selection table for Flamcovent & Clean Smart series



Find more information online:

[Installation and operating instruction](#)

[Declaration of Conformity](#)

[Flamcovent Smart ADSK](#)

[Flamcovent Smart ADSK Revit](#)

[Flamcovent Smart DWG](#)

[Flamcovent Smart STEP](#)

[Export catalogue](#)

[Brochure](#)

[Specification Text](#)

[Packaging data](#)

[Flamcovent & Clean Smart](#)

Flamco Limited
Washway Lane
UK-WA10 6PB, St Helens, Merseyside - gb

T +44 17 447 447 44

E info@flamco.co.uk

I flamcogroup.com/uk-en