

The compact, proven design has high efficiency and guaranteed operation for heating and air conditioning.

The water within the installation contains air which can form corrosion and reduce the thermal transfer. A Flexvent is fitted at places where the air collects.

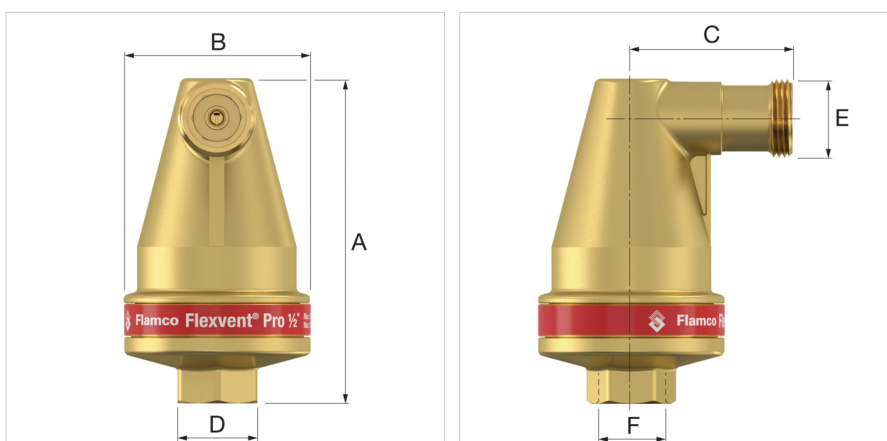



### Advantages

- Equipped with bubble breaker.
- The cap of the Flexvent Pro is conical in shape. The advantage of this construction is that the clearance between the water level and venting valve is maximized.
- The air escape duct can be opened or closed with an adjusting screw.
- The venting valve forms an integral part of the cap, so that it is impossible to damage the float vent mechanism from outside.

### Technical Specifications

- Outlet: G 3/4" M.
- Suitable for addition of glycol-based anti-freeze up to 50%.
- Minimum/Maximum working temperature: -10 °C / 120 °C.
- Minimum/Maximum working pressure: 0.2 / 12.0 bar.



Type	Dimensions				Connection		Shut-off valve		Order Code
	A [mm]	B Ø [mm]	C [mm]	D (wrench size)	E	F			
Flexvent Pro	110	63	54,5	27	G 3/4" M	Rp 1/2"	no	1	28519



**Find more information online:**

[Installation and operating instruction](#)

[Declaration of conformity PED 2014/68/EU](#)

[FM approval](#)

[Certificate FM Flexvent Pro](#)

[Flexvent Pro DWG](#)

[Flexvent Pro STEP](#)

[Flexvent Pro RFA](#)

[Export catalogue](#)

[Packaging data](#)

Flamco Limited  
Washway Lane  
UK-WA10 6PB, St Helens, Merseyside - gb

T +44 17 447 447 44  
E [info@flamco.co.uk](mailto:info@flamco.co.uk)  
I [flamcogroup.com/uk-en](http://flamcogroup.com/uk-en)