

The compact, proven design has high efficiency and guaranteed operation for heating and air conditioning.

The water within the installation contains air which can form corrosion and reduce the thermal transfer. A Flexvent is fitted at places where the air collects.

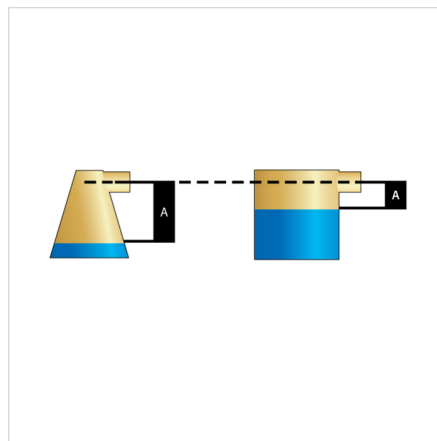
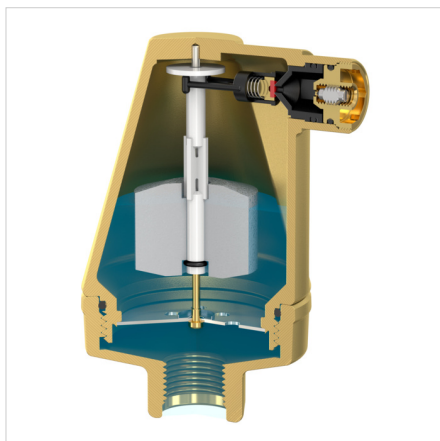



Advantages


- The cap of the Flexvent Super is conical in shape. The advantage of this construction is that the clearance between the water level and venting valve is maximized.
- The air escape duct can be opened or closed with an adjusting screw.
- The venting valve forms an integral part of the cap, so that it is impossible to damage the float vent mechanism from outside.

Technical Specifications

- Minimum/Maximum working temperature: -10 °C / 120 °C.
- Minimum/Maximum working pressure: 0.2 / 10.0 bar.
- Suitable for addition of glycol-based anti-freeze up to 50%.



Type	Dimensions		Connection	Shut-off valve		Order Code
	Ø [mm]	H. [mm]				
Flexvent Super 1/2	73	119	G 1/2" F	no	1	28520

Type	Dimensions		Connection	Shut-off valve		Order Code
	Ø [mm]	H. [mm]				
Shut-off valve Flexvent Super	-	-	1/2"	-	1	28525

Find more information online:

[Installation and operating instruction](#)

[Declaration of conformity PED 2014/68/EU](#)

[Flexvent Super ADSK](#)

[Flexvent Super DWG](#)

[Flexvent Super STEP](#)

[Export catalogue](#)

[Packaging data](#)

Flamco Limited
Washway Lane
UK-WA10 6PB, St Helens, Merseyside - gb

T +44 17 447 447 44
E info@flamco.co.uk
I flamcogroup.com/uk-en