

The compact, proven design has high efficiency and guaranteed operation for heating and air conditioning.

The water within the installation contains air which can form corrosion and reduce the thermal transfer. A Flexvent is fitted at places where the air collects.

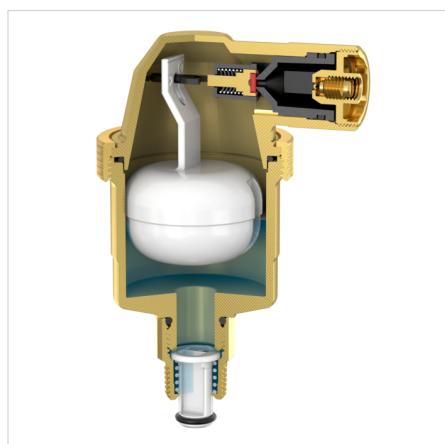



### Advantages


- Most types are equipped with a shut-off valve for easy fitting and dismantling.
- A Flexvent float vent is easy to fit in any installation due to its very small dimensions.
- The relatively large air cushion at the top of each type of Flexvent float vent protects the valve seat sufficiently against contamination, so that the Flexvent will not leak.
- To guarantee top quality, we test all Flexvents before they leave our facility!

### Technical Specifications

- Minimum/Maximum working temperature: -10 °C / 120 °C.
- Minimum/Maximum working pressure: 0.2 / 10.0 bar.
- Suitable for addition of glycol-based anti-freeze up to 50%.



Type	Dimensions		Connection	Shut-off valve		Order Code
	Ø [mm]	H. [mm]				
Flexvent Top	54	86	Rp 1/2"	no	20	28515

Type	Dimensions		Connection	Shut-off valve		Order Code
	Ø [mm]	H. [mm]				
Flexvent Top White	54	86	R $\frac{3}{8}$ "	yes	20	28510

**Find more information online:**

[Installation and operating instruction](#)

[Declaration of conformity PED 2014/68/EU](#)

[Flexvent Top DWG](#)

[Flexvent Top STEP](#)

[Flexvent Top 1-2 ADSK](#)

[Flexvent Top White 3-8 RFA](#)

[Export catalogue](#)

[Packaging data](#)

Flamco Limited  
Washway Lane  
UK-WA10 6PB, St Helens, Merseyside - gb

T +44 17 447 447 44  
E [info@flamco.co.uk](mailto:info@flamco.co.uk)  
I [flamcogroup.com/uk-en](http://flamcogroup.com/uk-en)