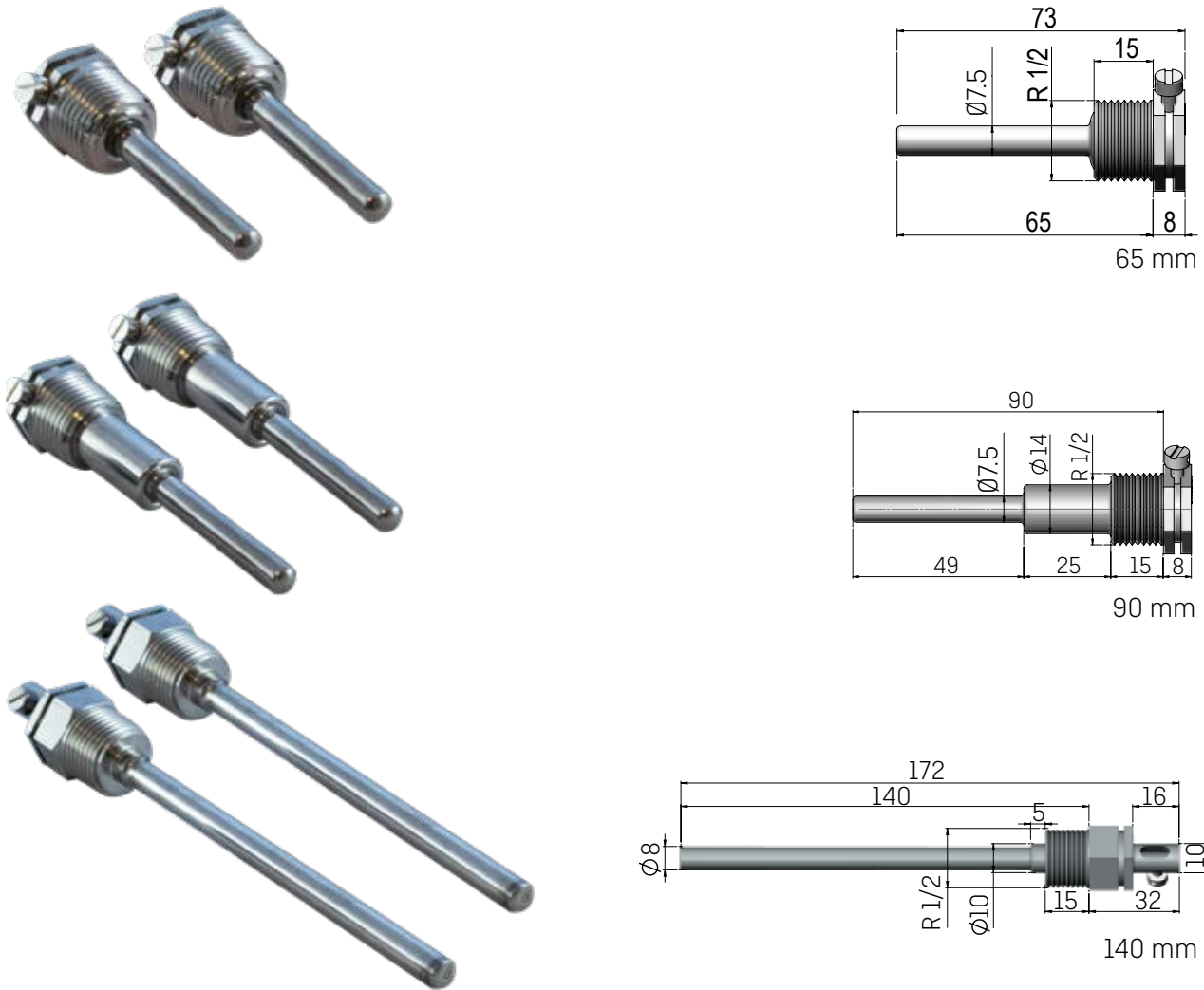


Pockets for $\varnothing 5.8$ mm temperature sensor

Pockets with thread R $\frac{1}{2}$



Technical data on pockets with thread R $\frac{1}{2}$

Installation lengths	65 mm, 90 mm, 140 mm
Thread	Cone-shaped thread R $\frac{1}{2}$
Material	65 mm pocket, 90 mm pocket: AISI 304 / W.No. 1.4301 140 mm pocket: AISI 316Ti / 1.4571
Time constant $\tau_{0.5}$	65 mm pocket, 90 mm pocket: Max 8 s 140 mm pocket: Max 25 s
Type numbers in approval	65 mm pocket: 6557-324 90 mm pocket: 6557-327 140 mm pocket: 6557-314