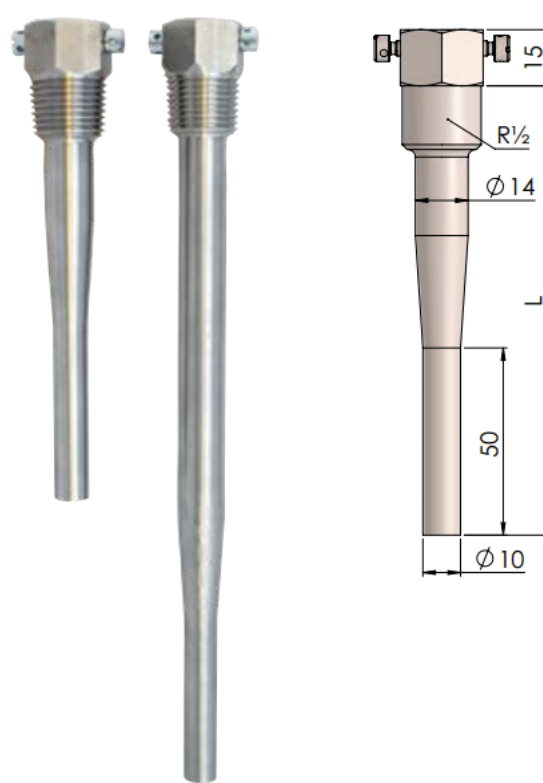


Reinforced pockets for $\varnothing 5.8$ mm temperature sensors

Reinforced pockets with $R\frac{1}{2}$ thread



Technical data on reinforced pockets

Installation lengths L	120 mm, 210 mm
Thread	Cone-shaped thread $R\frac{1}{2}$ or straight thread $G\frac{1}{2}B$
Gasket for pockets with straight thread $G\frac{1}{2}B$	Copper sealing (supplied in the bag with 2 pockets)
Material	AISI 316L / W. No. 1.4404
Time constant $\tau_{0.5}$	Max 16 s
Type numbers in approval	120 mm pocket with $R\frac{1}{2}$ thread: 6557-350 210 mm pocket with $R\frac{1}{2}$ thread: 6557-351 120 mm pocket with $G\frac{1}{2}B$ thread: 6557-352 210 mm pocket with $G\frac{1}{2}B$ thread: 6557-353