

**IMPORTANT!
FOLLOW
INSTRUCTIONS
CAREFULLY!**

EH-800 INSTALLATION INSTRUCTIONS

OUMAN®

v. 3.0.0

Package includes components for:

- ESBE 3MG valve
- ESBE boiler valve, brass
- ESBE boiler valve, cast iron
- TERMOMIX valve
- VEXVE AMV valve
- BELIMO ball valve

Must be ordered separately:

- ESBE VRG/VRB valve (SOV-ESBE 2)

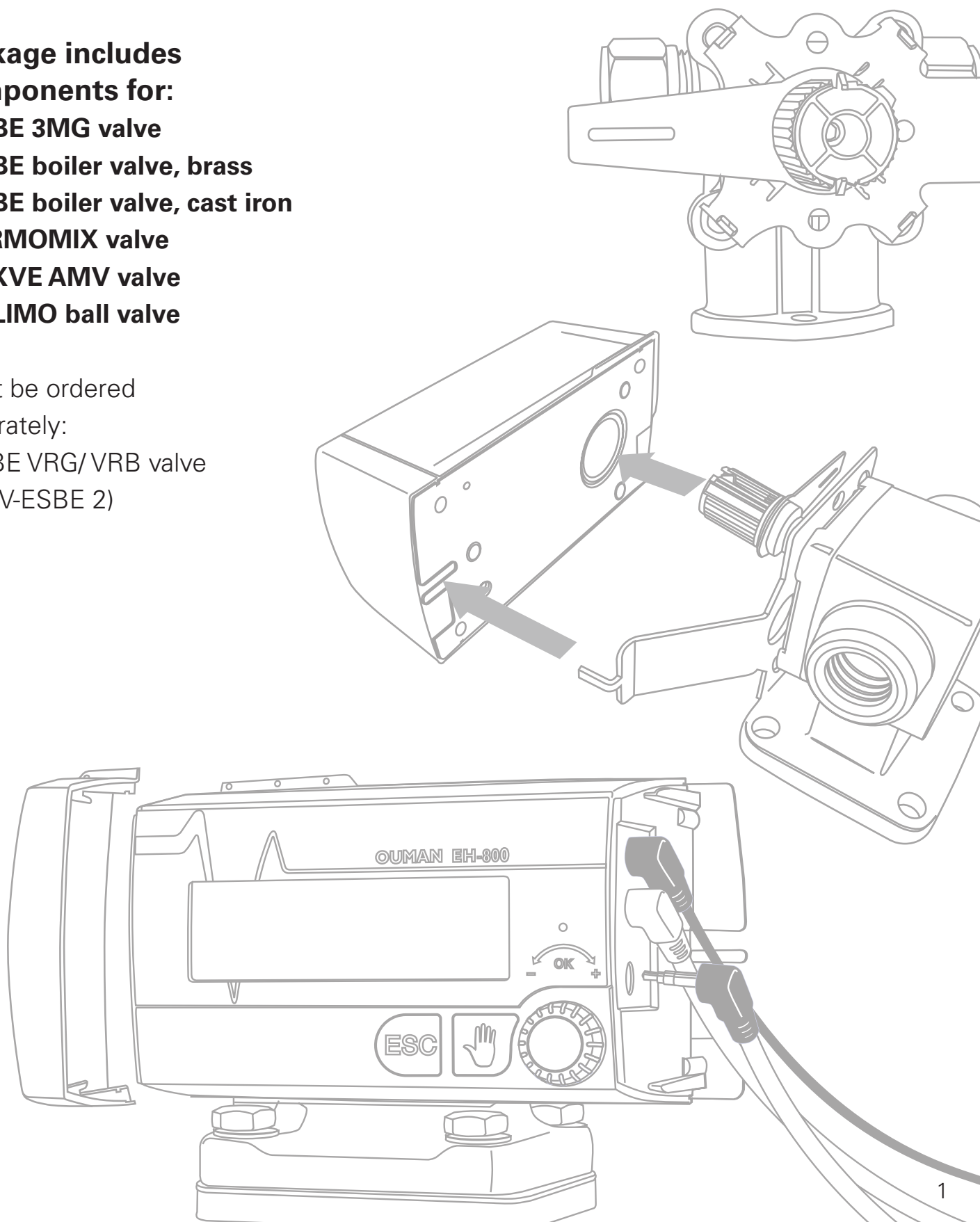
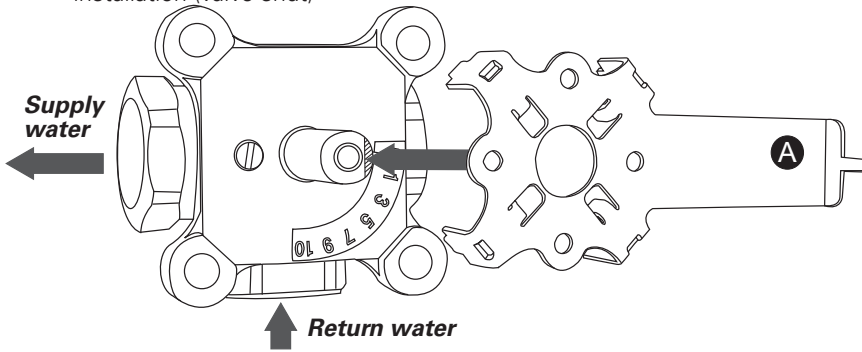


Table of contents

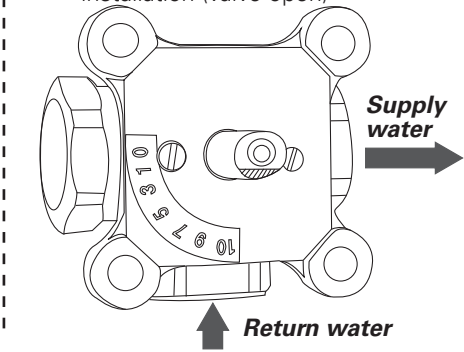
ESBE 3MG valve	p. 3
ESBE boiler valve, brass/ Termomix	p. 4
ESBE boiler valve, cast iron/ Termomix	p. 5
VEXVE AMV valve	p. 6
BELIMO ball valve	p. 7
ESBE VRG/VRB valve	p. 8
EH-800 connections	p. 9
Controller settings	p. 10
- Changing the language	
- Time and date setting	
- Taking additional connections into use using the cord and connecting box	
- Heating mode selection	
Setting the valve direction for the controller	p. 11
Determine the valve direction	p. 11
- General	
- ESBE (3MG)	
- Termomix	
Start-up with new settings	p. 11
Taking the second control circuit into use	p. 11
In floor heating solutions	p. 11
Faults unrelated to the regulator	p. 12
Hints for first-time use	p. 12
Warranty	p. 12
Resistance value table NTC10	p. 12
Contact	p. 12

ESBE 3MG VALVE

1a Valve opens clockwise
Shaft bevel position during installation (valve shut)



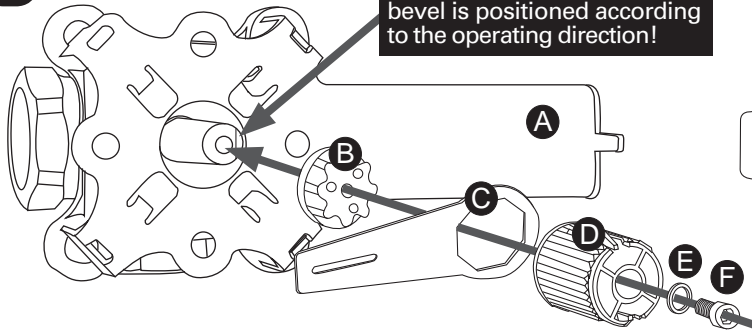
1b Valve opens counterclockwise
Shaft bevel position during installation (valve open)



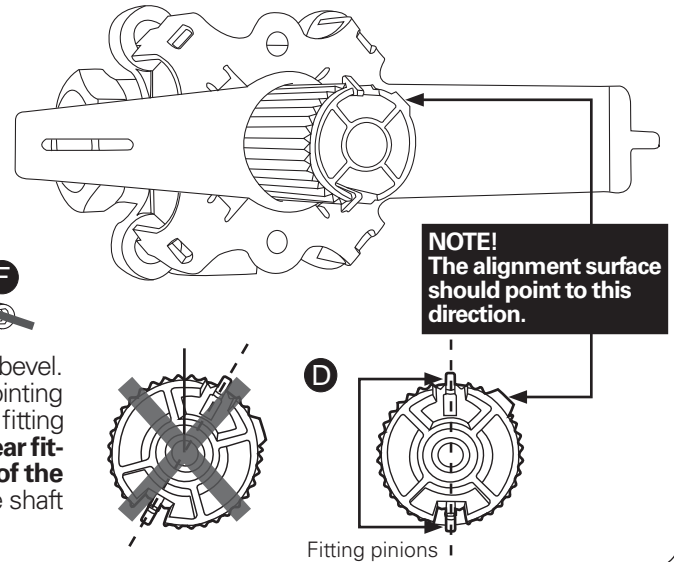
Set the installation plate into the valve as indicated in the figure. The pegs located in the corners of the installation plate should be aligned with the corner holes. **NOTE!** If necessary, turn the scale according to the operating direction. Remember to also turn the valve shaft bevel according to the operating direction. **The regulator direction of the valve opening counter-clockwise (1b) should be changed according to Section 12 (regulator installed).**

2

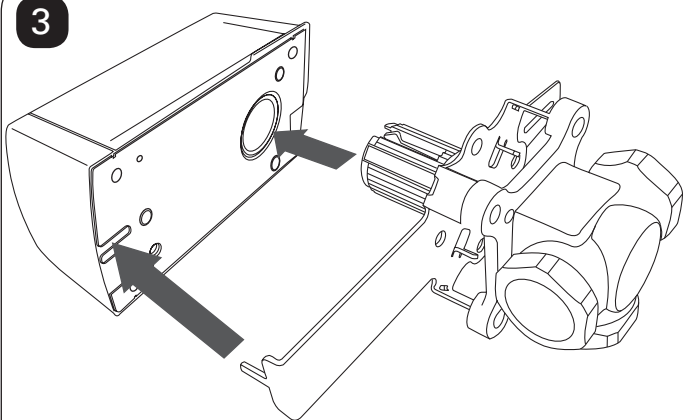
Make sure that the valve shaft bevel is positioned according to the operating direction!



Install the shaft fitting on the valve shaft while observing the shaft bevel. Install the manual operation lever on the axle of the shaft fitting, pointing horizontally to the left (9 o'clock). Place the gear fitting to the shaft fitting so that the manual operation lever is between the fittings and **the gear fitting pinions point up and downwards. The alignment surface of the fitting should point towards 2 o'clock.** Fix the parts to the valve shaft with the screw and washer.

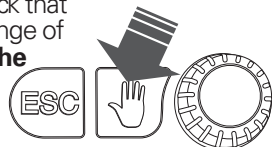


3



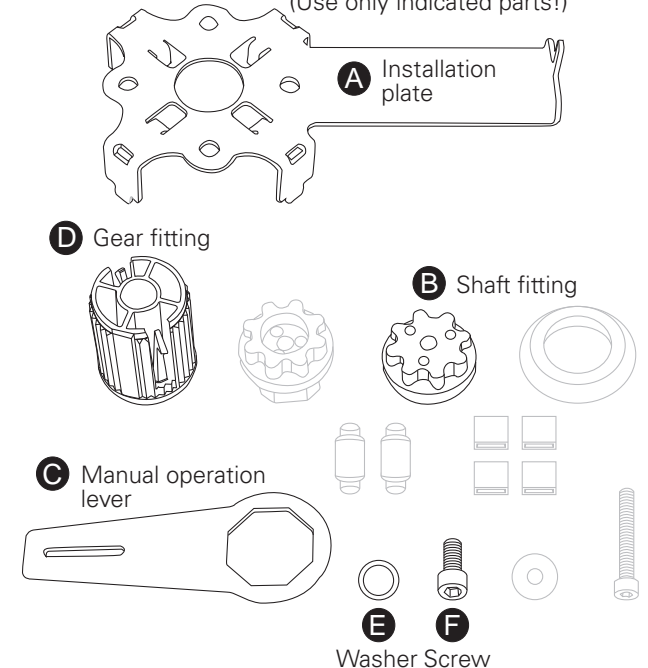
Attach the regulator according to the illustrations, ensuring that the gear fitting alignment surfaces face the regulator and the installation plate pegs are placed correctly.

Use the manual control lever to check that the valve turns freely over the full range of movement (90°). **You must press the manual control knob while you are turning the manual control lever.**



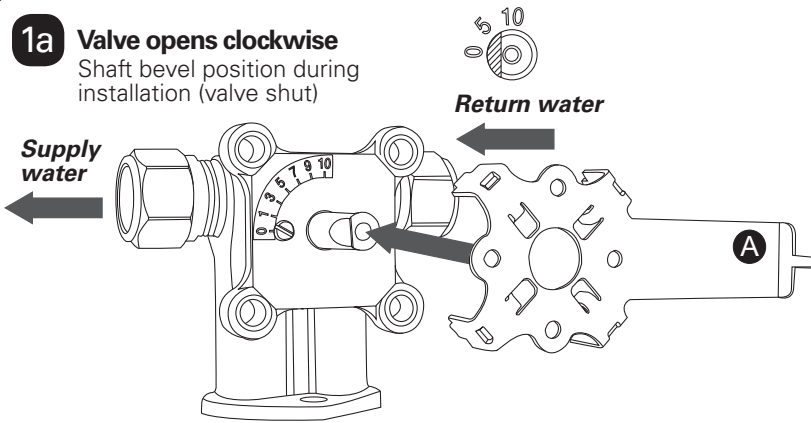
Contents of the installation package

(Use only indicated parts!)

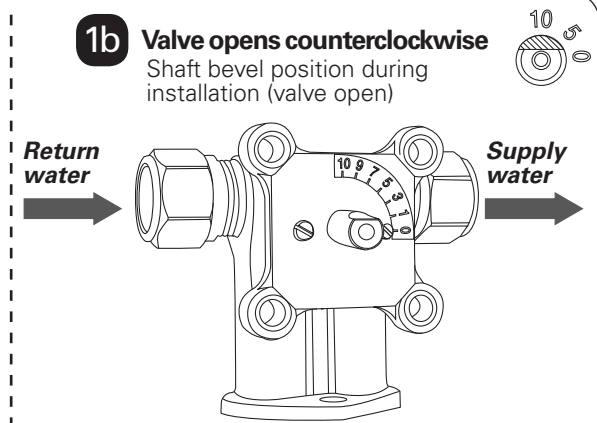


ESBE BOILER VALVE, BRASS/TERMOMIX

1a Valve opens clockwise
Shaft bevel position during installation (valve shut)

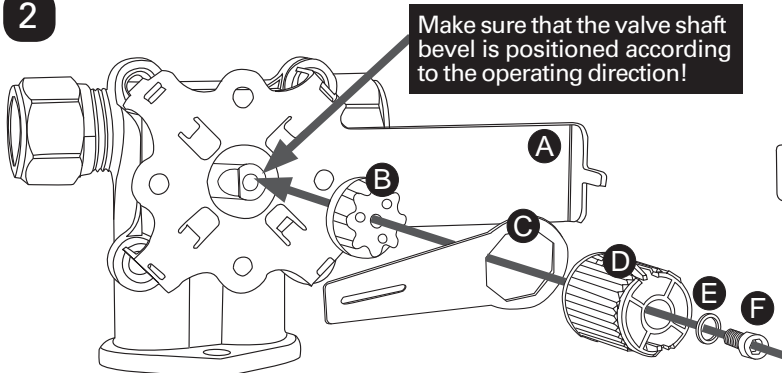


1b Valve opens counterclockwise
Shaft bevel position during installation (valve open)



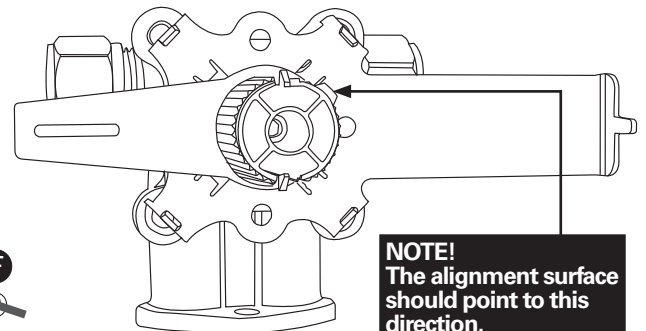
Set the installation plate into the valve as indicated in the figure. The pegs located in the corners of the installation plate should be aligned with the corner holes. **NOTE!** If necessary, turn the scale according to the operating direction. Remember to also turn the valve shaft bevel according to the operating direction. **The regulator direction of the valve opening counter-clockwise (1b) should be changed according to Section 12 (regulator installed).**

2

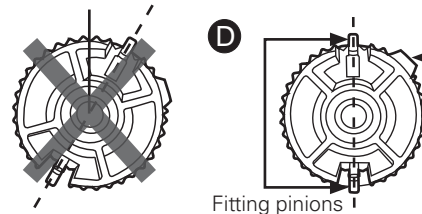


Make sure that the valve shaft bevel is positioned according to the operating direction!

Install the shaft fitting on the valve shaft while observing the shaft bevel. Install the manual operation lever on the axle of the shaft fitting, pointing horizontally to the left (9 o'clock). Place the gear fitting to the shaft fitting so that the manual operation lever is between the fittings and **the gear fitting pinions point up and downwards. The alignment surface of the fitting should point towards 2 o'clock.** Fix the parts to the valve shaft with the screw and washer.

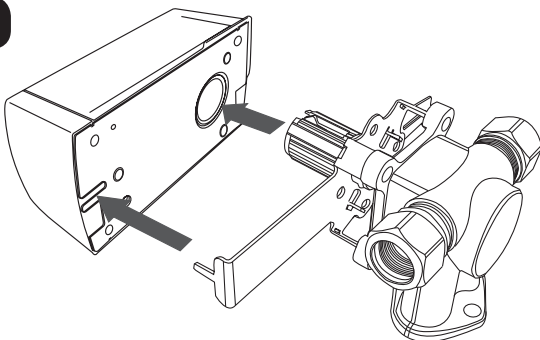


NOTE!
The alignment surface should point in this direction.



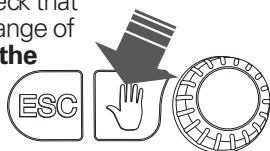
Fitting pinions ↓

3



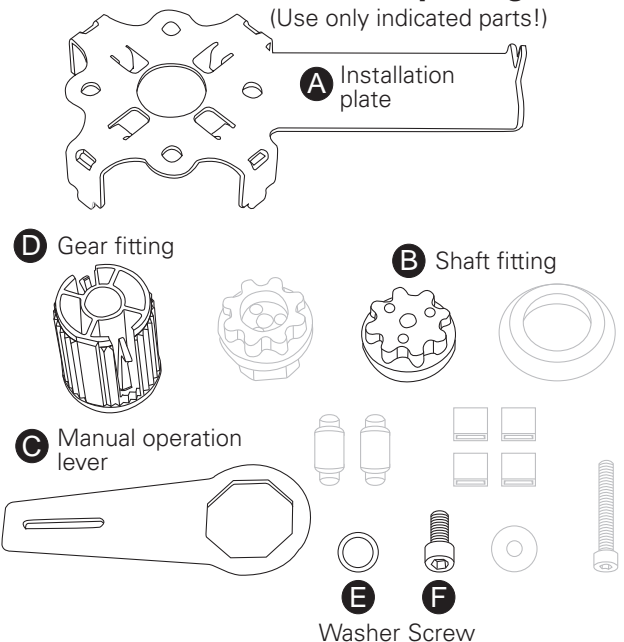
Attach the regulator according to the illustrations, ensuring that the gear fitting alignment surfaces face the regulator and the installation plate pegs are placed correctly.

Use the manual control lever to check that the valve turns freely over the full range of movement (90°). **You must press the manual control knob while you are turning the manual control lever.**



Contents of the installation package

(Use only indicated parts!)



ESBE BOILER VALVE, CAST IRON/TERMOMIX

1 **Valve opens clockwise**
 Closed → Open

Valve opens counterclockwise
 Open → Closed

Use the manual control knob to turn the valve all the way to the left, so the valve is either completely open or closed. **The regulator direction of the valve opening counter-clockwise should be changed according to Section 12 (regulator installed).** Turn scale plate if needed. Remove the manual control knob and detach the two cover screws from the valves.

2

Fasten the installation bracket to the valve using the cover screws as shown in the diagram. The installation bracket has several holes. Use the ones that match the valve type.

3

Install the shaft fitting on the valve shaft while observing the shaft bevel. Install the manual operation lever on the axle of the shaft fitting, pointing horizontally to the left (9 o'clock). Place the gear fitting to the shaft fitting so that the manual operation lever is between the fittings and **the gear fitting pinions point up and downwards. The alignment surface of the fitting should point towards 2 o'clock.** Fix the parts to the valve shaft with the screw and washer.

NOTE! The alignment surface should point to this direction.

Alignment surface

Fitting pinions

4

Attach the regulator according to the illustrations, ensuring that the gear fitting alignment surfaces face the regulator and the installation plate pegs are placed correctly.

Use the manual control lever to check that the valve turns freely over the full range of movement (90°). **You must press the manual control knob while you are turning the manual control lever.**

Contents of the installation package
 (Use only indicated parts!)

Installation plate SOV-VALURAUTA (A)

This plate is not used!

D Gear fitting

B Shaft fitting

C Manual operation lever

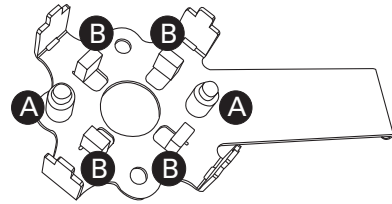
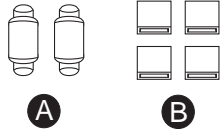
E Washer

F Screw

VEXVE AMV VALVE

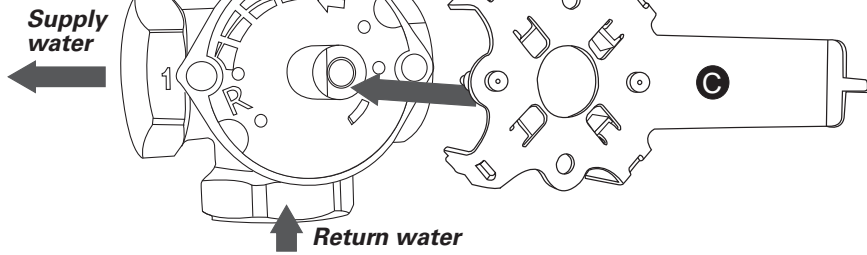
Initial preparations

Attach the locking pieces to the installation plate according to the illustration.



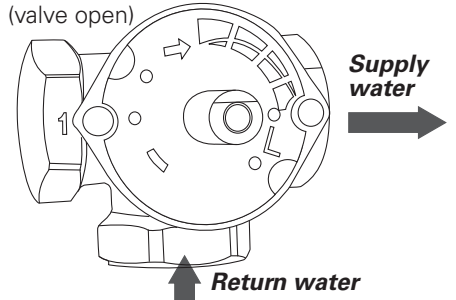
1a Valve opens clockwise

Shaft bevel position during installation (valve shut)



1b Valve opens counterclockwise

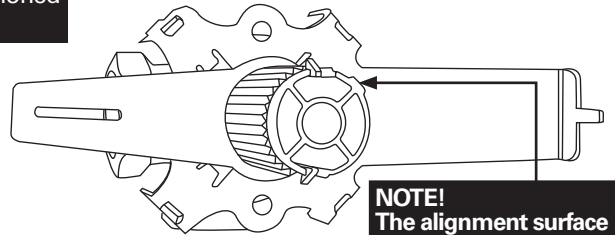
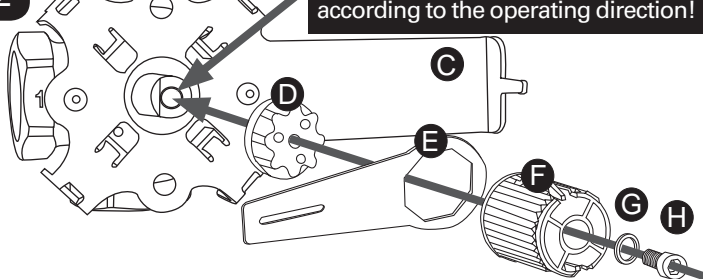
Shaft bevel position during installation (valve open)



Set the installation plate into the valve as indicated in the figure. The pegs located in the corners of the installation plate should be aligned with the corner holes. **NOTE!** If necessary, turn the scale according to the operating direction. Remember to also turn the valve shaft bevel according to the operating direction. **The regulator direction of the valve opening counter-clockwise (1b) should be changed according to Section 12 (regulator installed).**

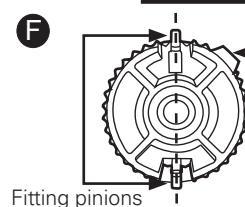
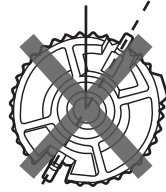
2

Make sure that the valve shaft bevel is positioned according to the operating direction!



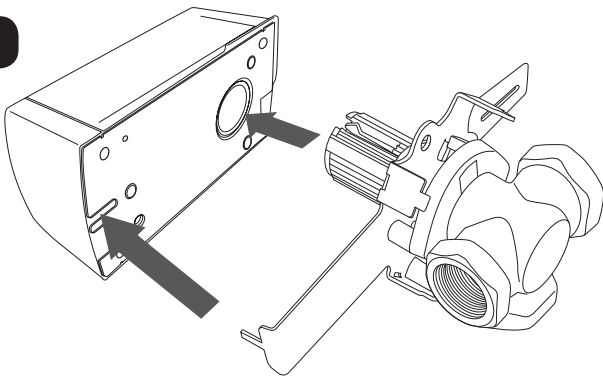
NOTE! The alignment surface should point to this direction.

Install the shaft fitting on the valve shaft while observing the shaft bevel. Install the manual operation lever on the axle of the shaft fitting, pointing horizontally to the left (9 o'clock). Place the gear fitting to the shaft fitting so that the manual operation lever is between the fittings and **the gear fitting pinions point up and downwards. The alignment surface of the fitting should point towards 2 o'clock.** Fix the parts to the valve shaft with the screw and washer.



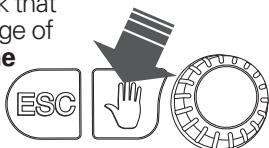
Fitting pinions

3



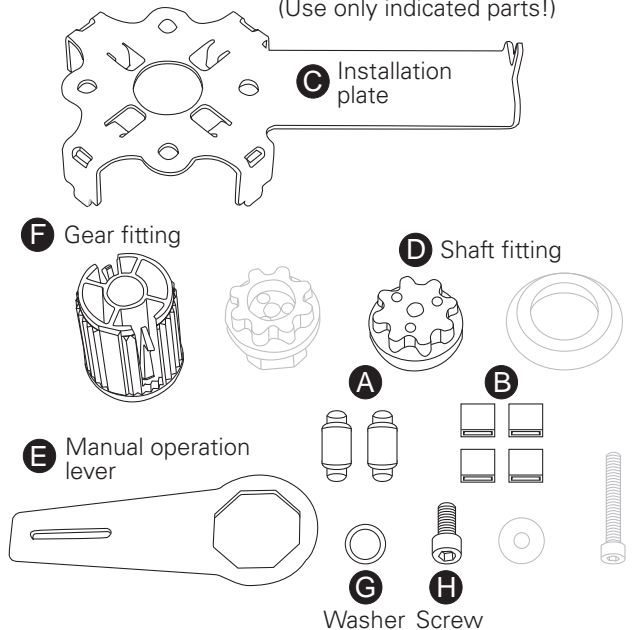
Attach the regulator according to the illustrations, ensuring that the gear fitting alignment surfaces face the regulator and the installation plate pegs are placed correctly.

Use the manual control lever to check that the valve turns freely over the full range of movement (90°). **You must press the manual control knob while you are turning the manual control lever.**



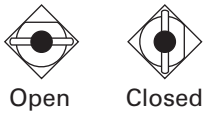
Contents of the installation package

(Use only indicated parts!)

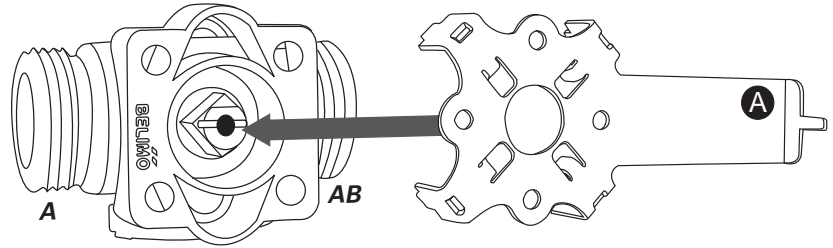


BELIMO BALL VALVE

1

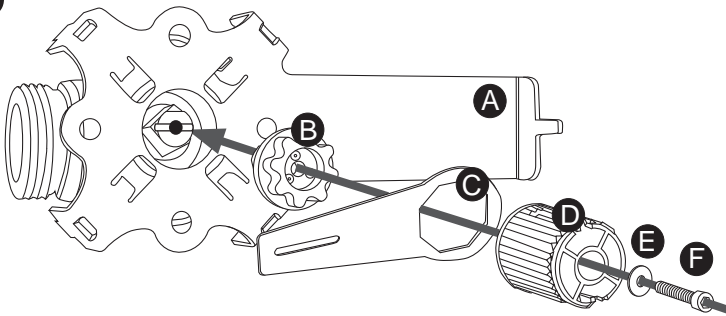


Flow direction →

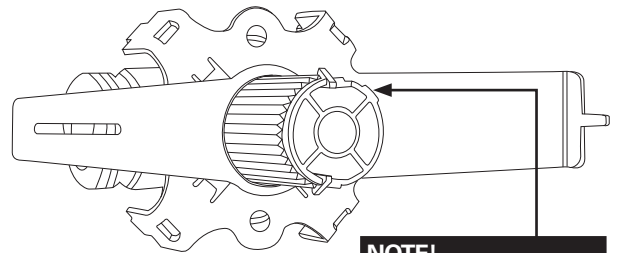


Set the installation plate into the valve as indicated in the figure. The pegs located in the corners of the installation plate should be aligned with the corner holes. Valve shaft should be open during installation. **The regulator direction of the valve opening counter-clockwise (1b) should be changed according to Section 12 (regulator installed).**

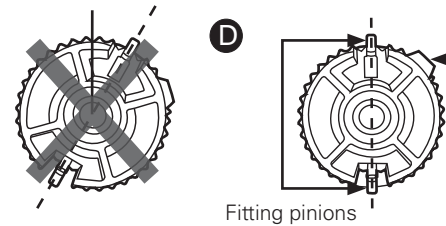
2



Install the shaft fitting on the valve shaft while observing the shaft bevel. Install the manual operation lever on the axle of the shaft fitting, pointing horizontally to the left (9 o'clock). Place the gear fitting to the shaft fitting so that the manual operation lever is between the fittings and **the gear fitting pinions point up and downwards. The alignment surface of the fitting should point towards 2 o'clock.** Fix the parts to the valve shaft with the screw and washer.

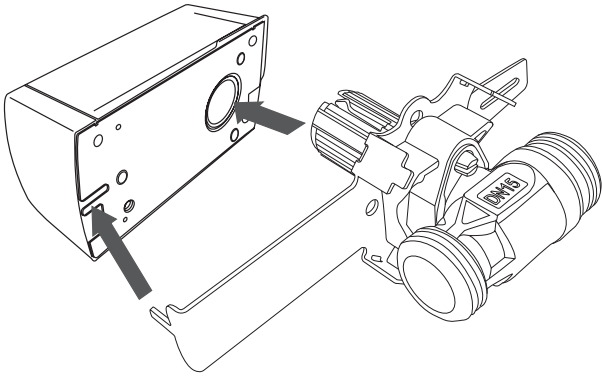


NOTE!
The alignment surface should point to this direction.



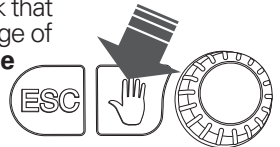
Fitting pinions

3



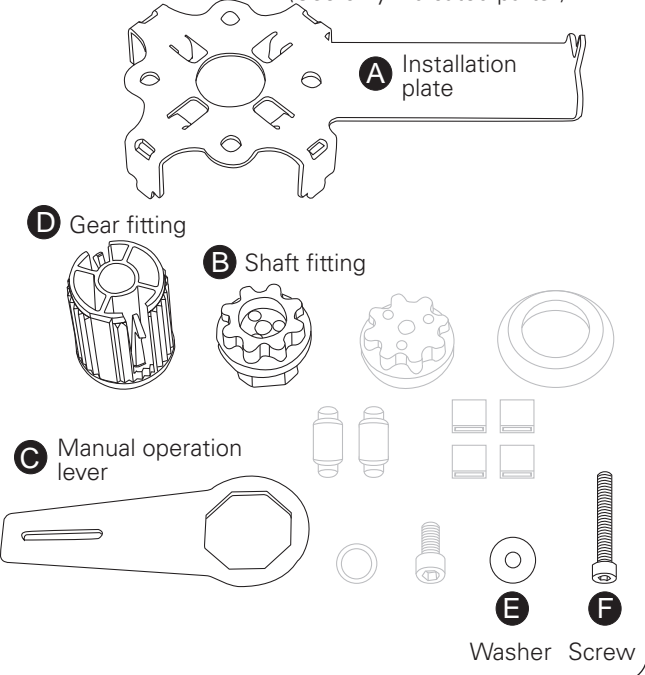
Attach the regulator according to the illustrations, ensuring that the gear fitting alignment surfaces face the regulator and the installation plate pegs are placed correctly.

Use the manual control lever to check that the valve turns freely over the full range of movement (90°). **You must press the manual control knob while you are turning the manual control lever.**



Contents of the installation package

(Use only indicated parts!)



ESBE VRG/VRB VALVE **Note! Must be ordered separately**

1a Valve opens clockwise

Shaft bevel position during installation (valve shut)

1b Valve opens counterclockwise

Shaft bevel position during installation (valve open)

Remove the manual operation lever and the scale plate. Set the installation plate into the valve as indicated in the figure. **NOTE!** Turn the valve shaft bevel according to the operating direction. **The regulator direction of the valve opening counter-clockwise (1b) should be changed according to Section 12 (regulator installed).**

2

Make sure that the valve shaft bevel is positioned according to the operating direction!

NOTE! The alignment surface should point to this direction.

Fitting pinions

Install the shaft fitting on the valve shaft while observing the shaft bevel. The shaft fitting can only be installed in one position. Install the manual operation lever on the axle of the shaft fitting, pointing horizontally to the left (9 o'clock). Place the gear fitting to the shaft fitting so that the manual operation lever is between the fittings and **the gear fitting pinions point up and downwards. The alignment surface of the fitting should point towards 2 o'clock.** Fix the parts to the valve shaft with the screw and washer.

3

Attach the regulator according to the illustrations, ensuring that the gear fitting alignment surfaces face the regulator and the installation plate pegs are placed correctly.

Use the manual control lever to check that the valve turns freely over the full range of movement (90°). **You must press the manual control knob while you are turning the manual control lever.**

Contents of the installation package (Use only indicated parts!)

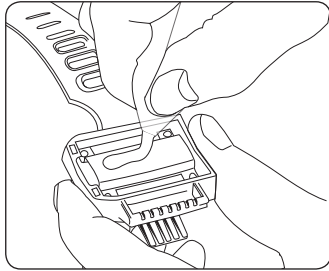
This plate is not used!

SOV-ESBE 2, must be ordered separately (Not included in the installation package)

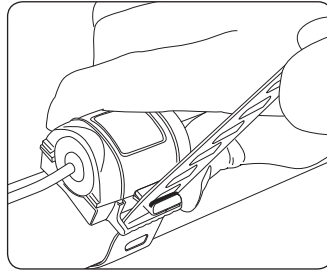
EH-800 CONNECTIONS

- 4** **H1 Supply water sensor** Is already attached to the controller.
H2 Supply water sensor Connect/ is already attached the external unit to the controller using the RJ45-2.

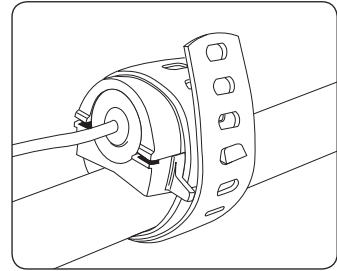
Fasten the surface sensor to the surface of the pipe entering the network about 0.5...1.5 m from the valve either on the top or side of the pipe. The surface of the pipe should be clean, rust free and smooth; the pipe can be painted.



Cut the corner of the bag open and squeeze the grease on the bottom surface of the sensor (cooper plate).

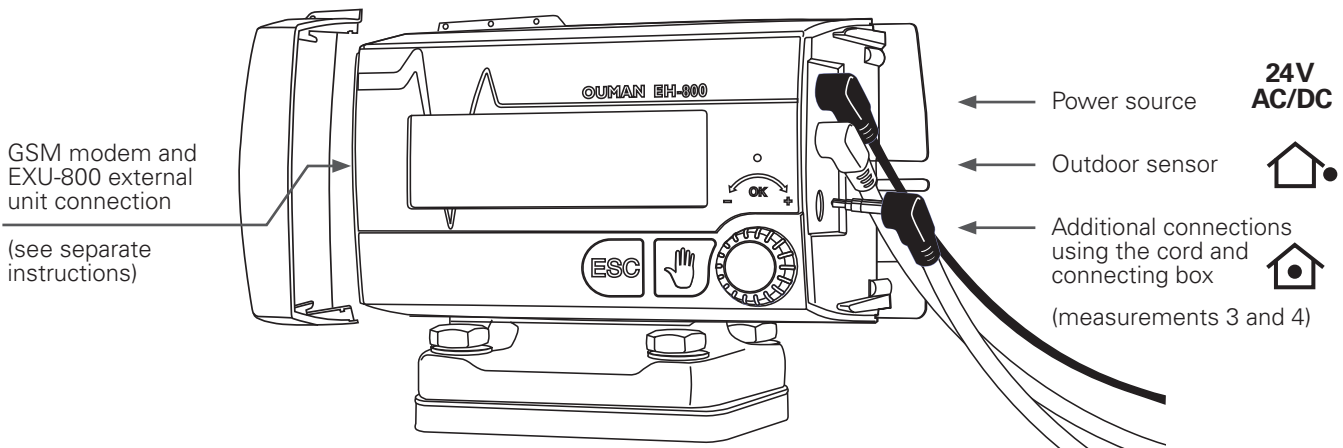


Wrap the fastening strap around the pipe. Make sure that that the surface sensor is not loose.



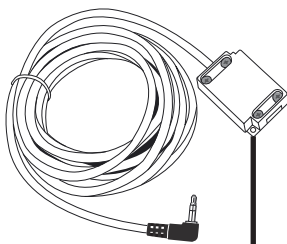
Wrap the strap around the pipe again if it is long enough. Cut the strap to the proper length along the groove between the holes.

- 5** **Detach the protective cover of the controller's connection space (slides off at a right angle to the controller) and connect the outdoor sensor to the controller.**

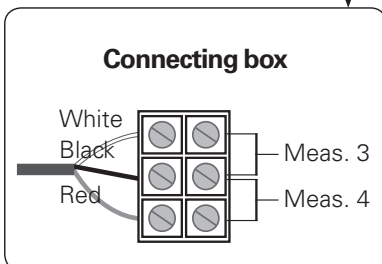


Position the outdoor sensor (TMO) in a shady place on the northern side of the building at a height of about 2.5 meters. Do not install the sensor directly above a window, door, vent or sensor cable protection tube coming from indoors, or next to an exhaust duct or any other source of heat. If necessary, the cable can be either shortened or lengthened using a screw connector. (No special requirements for cable type).

- 6** **Connect the cord and connecting box if you take something that is not included in the basic package into use (e.g., room sensor or something else mentioned below).** The cord and connecting box can be used to connect 2 different things (measurements 3 and 4).



Open the connecting box and make the necessary connections (see the list below). Select the use for measurements 3 and 4. (section 11) during controller initialization (heating controller use).



- Measurement 3
- Not in use
 - TMR Room measurement
 - TMR / SP Room measurement
 - Return water
 - Temperatur of accumulator
 - Temperature of boiler
 - Measurement 3 (labelled)

- Measurement 4
- Not in use
 - TMR / SP Room temp.potentiometer
 - Home/Away -switch
 - Return water
 - TMR / P Room compensation
 - Temperatur of accumulator
 - Temperature of boiler
 - Measurement 4 (labelled)
 - Pressure alarm
 - Burner alarm
 - Pump alarm
 - Boiler alarm
 - Alarm (labelled)

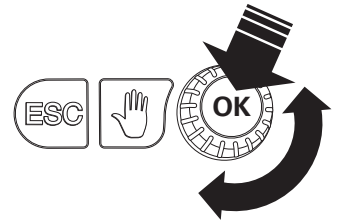
- 7** **24V AC/DC** Plug one end of the cord into the wall and the other end into the controller. We recommend putting the cord in a protective sleeve. Put the connection space's protective cover back into place.

CONTROLLER SETTINGS

8

EH-800 setup	
Kieli/Språk/Language	Suomi >
Time and date setting	>
Measur. channels settings	>
Heating mode	Radiator heating, normal >

Kieli/Språk/Language
○ Suomi
○ Svenska
● English



Changing the language:

Press the control knob (=OK), turn the control knob to change the language and press OK.

9

Turn the control knob to go to time and date settings and press OK.

EH-800 setup	
Language/Kieli/Språk	
Time and date setting	
Measur. channels settings	
Heating mode	Radiator heating

🕒 Time
Give the hours:
19:44
hh:mm

🕒 Date
Give the day:
Tu 11.06.2013

Press OK. Select either a time or date and press OK.

Set the hours and press OK to confirm. Set the minutes and press OK to confirm.

First set the day, then the month and then the year. Press OK. (the name of the weekday is automatically updated).

Press ESC to exit from time and date settings.

10

Taking additional connections (measurements 3 and 4) into use using the cord and connecting box

If you do not take additional connections into use (see section 7), go to section 12.

EH-800 setup	
Language/Kieli/Språk	English >
Time and date setting	>
Measur. channels settings	>
Heating mode	Radiator heating, normal >

✕ Measurements	
Measurement 3	Not in use >
Measurement 4	Not in use >

Press OK. Select the measurement use (see alternatives, section 7). Measurement 3 (4) or alarm can be freely labelled.

✕ Measurements	
Measurement 3	TMR Room measurement >
Measurement 4	Not in use >

The uses for measurements 3 and 4 appear on the display. Press ESC to exit.

Labelling: Use the control knob to select a letter. Press OK to confirm. Press OK for a number of seconds to confirm the name. Press ESC to delete the letter. Press ESC for a number of seconds to delete the name. If you take a measurement into alarm use, you can select whether the controller sounds an alarm when the switch opens or when it closes. The default is that the controller gives an alarm when the switch opens. (see user manual p.23).

11

Heating mode selection

Using EH-800 as a heating controller	
Measur. channels settings	>
Heating mode	Radiator heating, normal >
Direction on valve	Open clockwise >
Start-up with new settings	>

✕ Heating mode
Floor heating, damp rooms
Floor heating, normal
Radiator heating, normal
Radiator heating, steep curve
Contant temperature controller
Concrete floor drying

The controller has factory settings for **normal radiator heating**. Floor heating, normal: normal floor heating **Floor heating, damp rooms:** select this when the controller only heats tiled floors (when you want a comfortably warm floor and/or a dry floor in the summer). **Radiator heating, steep curve:** select this when your house has poor insulation or the radiators do not give off enough heat. **The constant temperature controller and concrete floor drying** are special applications of the controller. (additional information about heating modes in the user manual on p. 26). After initialization, the heating mode selection can be found from the controller at "Device settings -> H1 Process settings"

12 Setting the valve direction for the controller

Using EH-800 as a heating controller

Measur. channels settings	>
Heating mode	Radiator heating, normal >
Direction on valve	Open clockwise >
Start-up with new settings	>

✂ Direction of valve

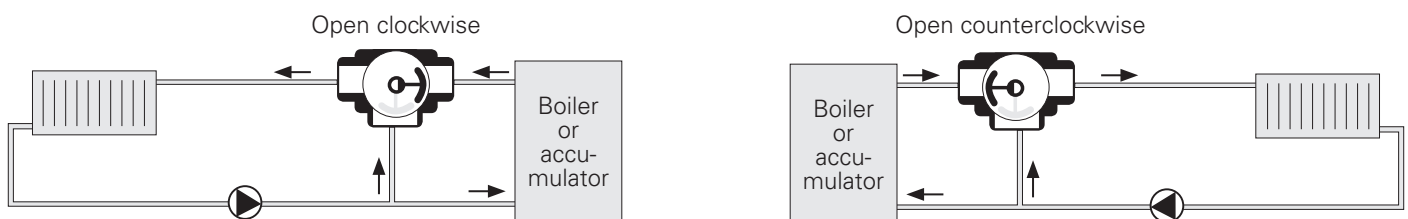
- Open clockwise
- Open counterclockwise

As a default the valve opens when it is turned clockwise. If the controller is installed for a valve that opens when it turns counterclockwise, the valve direction in the controller's menu must be changed to open in the counterclockwise direction. (see section 1).

Additional information on page 28 of the user manual. Changing the direction of the valve, see "Device settings".

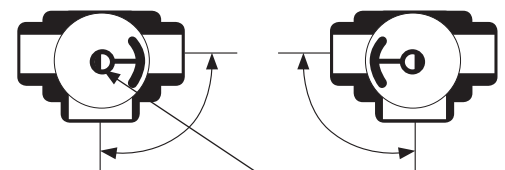
Valve direction: The range of movement of boiler valves is mechanically limited to 90°. Therefore, it is easy to find the limits by turning the valve to the extreme limits using the manual control knob or axle. Sometimes it may be difficult to determine the opening direction of a 3-way valve installed in the network, e.g., if the manual control knob is missing or the scale plate of the valve is installed incorrectly. To make it easier to determine the direction, a few hints are given below for the most common mixing valves on the market.

ESBE (3MG): The slide of the valve can be turned 360°. Turn the valve all the way to the left (9 o'clock). The tapered side of the valve axle always faces toward the slide. (the branch on the tapered side is closed).



TERMOMIX: The slide of the valve is always on the opposite side of the taper at the end of the axle.

If you can't get the valve turned so that the slide moves between the hot water branch and circulating water branch, the position of the valve cover must be changed. We recommend having a plumber change the direction because of the risk of water damage and burns.



The branch is completely open when it is in the same direction as the tapered side.

13 Start-up with new settings

Using EH-800 as a heating controller

Measur. channels settings	>
Heating mode	Radiator heating, normal >
Direction on valve	Open clockwise >
Start-up with new settings	>

Press OK. The controller will take into use the new settings which are determined by the heating mode. The new settings can be found in the controller under "Device settings."

The controller has now been taken into use as a one circuit heating controller.

14 Taking the second control circuit into use

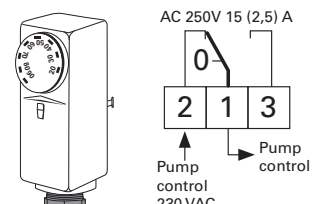
Device settings > H2 Process settings

H2 Process settings	In use >
Heating mode	Radiator heating, normal >
Actuator selection	0-10V >
Actuator driving time	150 s >
Heating curve type	3-point heating curve >
Name of regul. circuit	Radiator circuit >

The EXU-800 external unit must be in use to take the second control circuit into use. Connect the supply water sensor (strip connector 11 and ground) and the actuator (strip connector 8 (24VDC OUT), 9 (Y) and ground) of the second control circuit to the external unit. Connect EXU-800 to the controller using the RJ45-2 connection. Take the H2 control circuit into use through point H2 process settings in the controller's device settings (see user manual p. 34).

In floor heating solutions

In floor heating solutions it is important to make sure that excessively hot water which could damage structures or surfaces doesn't ever get into the network. A mechanical thermostat should be installed on a supply water pipe which stops the circulation pump in case of overheating. Ouman Oy has in its product range a surface mounted thermostat C01A.



FAULTS UNRELATED TO THE REGULATOR

Stiff valve

Clean the valve axle and the hole of the lid flange, and replace the O-rings of the axle with new fittings or replace the valve. (Note! This work is usually performed by a plumber)

Uneven temperature

If the floor heating drainage water level is too high, the floor heating thermostats may prevent normal circulation of water operated by the control valve. Reduce the level of drainage water to a minimum.

Not enough heat

Ensure that there is enough heat available (i.e. boiler or accumulator temperature must be higher than drainage water temperature). Also, ensure that the piping pressure level is sufficient and that the circulation pump is running.

If the regulator is damaged, contact Ouman Oy. Send the damaged device via mail for factory repair. Remove all plug connectors and disconnect the device from the valve. Remember to include your contact information and a description of the fault.

HINTS FOR FIRST-TIME USE

If room temperature measurement is not in use: At first the radiator thermostats should be turned fully open. Set the fine adjustment so that the first time there is below freezing temperatures outdoors, the room temperature stays about 1 °C higher than what you want it to be. After that turn down the radiator thermostats just enough to obtain the desired room temperature. This prevents the room temperature from dropping on windy days, because the radiator thermostats will be able to increase the heating level.

Room temperature measurement in use: Room control can, if necessary, raise or lower the temperature level of the whole house and so the small temperature increase in the network mentioned before is not needed. Also you get more even temperature control in houses with floor heating when room temperature measurement is taken into use.

Warranty: Ouman Oy has given EH-800 a three year warranty for the device. The warranty covers repair of the device at Ouman Oy:s factory and includes necessary spare parts. The warranty is not in effect if the device has been installed incorrectly or mechanically damaged. The warranty does not cover indirect or consequential loss or damages. It does not cover the cost connected with finding a fault, detaching the device, or sending or installing the device.

Resistance value table NTC10

Tolerance $\pm 0,2$ °C (0-70 °C)

°C	Ω	°C	Ω	°C	Ω	°C	Ω
-50	672 600	0	32 660	40	5 325	80	1 257
-40	337 270	5	25 400	45	4 368	85	1 072
-30	177 210	10	19 900	50	3 602	90	917,4
-25	130 540	15	15 710	55	2 987	95	788,2
-20	97 140	20	12 490	60	2 488	100	679,8
-15	72 990	25	10 000	65	2 084	110	511,0
-10	55 350	30	8 055	70	1 753	120	389,4
-5	42 340	35	6 531	75	1 482	130	300,5
						140	234,7

6/2013