

## Exigo<sup>Vido</sup>

Compact controllers for heating and boiler control, supply voltage 230 V AC



*Exigo Vido are controllers for heating and boiler control that make every step from installation to operation and maintenance easier than ever. Simply connect the controller, enter any settings as desired and start up. It can be used either stand-alone or integrated into a network. It has built-in support for many different languages and is designed for mounting on a DIN-rail, in a cabinet door or directly on a wall.*

- ✓ Supply voltage 230 V AC
- ✓ 7 integrated relay outputs
- ✓ Easy installation: Connect the controller, set the parameters and start up
- ✓ Easy configuration using Application Tool
- ✓ Supports control of up to four heating/cooling circuits, two domestic hot water circuits, four boilers, one solar circuit, one buffer tank and district heating
- ✓ Communication via BACnet, Modbus, EXoline and M-Bus
- ✓ Versatility through number of ports and expansion units

### Application

Exigo is intended for control of heating substations in buildings. It supports control of up to four heating/cooling circuits, two domestic hot water circuits, four boilers, one solar circuit, one buffer tank and district heating.

### Versatility through number of ports and expansion units

Exigo models featuring one, two or three communication ports as well as connection via M-Bus are available, which

makes it very versatile. See all available connection options in the Models list.

### Communication via EXoline, Modbus, BACnet and M-Bus

Exigo supports communication via BACnet/IP, Modbus TCP and EXoline using the TCP/IP port. Additionally, models containing the RS485 electrical interface also support BACnet MS/TP, EXoline and Modbus via that port. There are also models with a M-Bus port. This enables integration of the controller into existing

#### HEAD OFFICE SWEDEN

Phone: +46 31 720 02 00

Web: [www.regincontrols.com](http://www.regincontrols.com)

E-mail: [info@regincontrols.com](mailto:info@regincontrols.com)

Exigo<sup>Vido</sup>

— | —

**REGIN**  
THE CHALLENGER

networks and monitoring of the system via internet, a mobile device or from a local computer.

A network connection enables adjusting setpoints, saving settings and supervising system functions from anywhere in the world.



## Monitor your installation using Application Tool

Exigo can easily be connected to Application Tool, a PC-based software that enables configuration and supervision of an installation. This helps save time as the software provides an excellent overview of all settings.

## Simple navigation

Exigo has a built-in display with blue backlight. The backlight is normally turned off, but is activated when a button is pressed and automatically turned off after a certain period of inactivity.

The display menu is handled via the buttons on the front of the controller.

There are also a number of external display units available that can be used to control the Exigo remotely.

## Control your system using CLOUDigo

With Application Tool, it is possible to connect an Exigo to CLOUDigo, a cloud-based service that makes it very easy to supervise an Exigo via the internet.

Simply select CLOUDigo in Application Tool and load the TCP/IP settings to locate the server available in the cloud. This can also be done using the display. When it is done, the Exigo controller will by itself locate the CLOUDigo server in which all settings are stored. The user then navigates to the same server and controls the heating system from there.

## Technical data

<b>Supply voltage</b>	230 V AC
<b>Ambient temperature</b>	0...50 °C
<b>Storage temperature</b>	-20...+70 °C
<b>Ambient humidity</b>	Max. 95 % RH
<b>Protection class</b>	IP20, IP40 when mounted in cabinet
<b>Memory backup</b>	Built-in long life battery gives long backup time of all settings incl. real time
<b>Battery type</b>	CR2032 replaceable Lithium cell
<b>Battery life</b>	Min. 8 years
<b>Display</b>	Backlit LCD, 4 rows of 20 characters
<b>Mounting</b>	DIN-rail, cabinet or on wall
<b>Dimensions (WxHxD)</b>	147 x 98 x 76 mm incl. terminals

### Inputs

<b>Analogue inputs (AI)</b>	PT1000 (-50...+150°C)
<b>Digital inputs (DI)</b>	For potential-free contacts
<b>Universal inputs (UI)</b>	Can be configured to function as either analogue input or digital input

### Outputs

<b>Analogue outputs (AO)</b>	Configurable 0...10 V DC; 2...10 V DC; 10...0 V DC or 10...2 V DC output (12 bit short-circuit protected)
<b>Digital outputs (DO)</b>	7x relay, 230 V AC, 1 A inductive load per relay
<b>Universal analogue I/O (UA)</b>	Configurable 0...10 V DC; 2...10 V DC; 10...0 V DC or 10...2 V DC output (12 bit short-circuit protected) or 0...10 V DC input

### Communication ports

<b>TCP/IP</b>	EXOline, Modbus, BACnet/IP, CLOUDigo
<b>RS485</b>	EXOline, Modbus, BACnet MS/TP
<b>M-Bus ports</b>	M-Bus communication

## CE

This product carries the CE-mark. More information is available at [www.regincontrols.com](http://www.regincontrols.com).

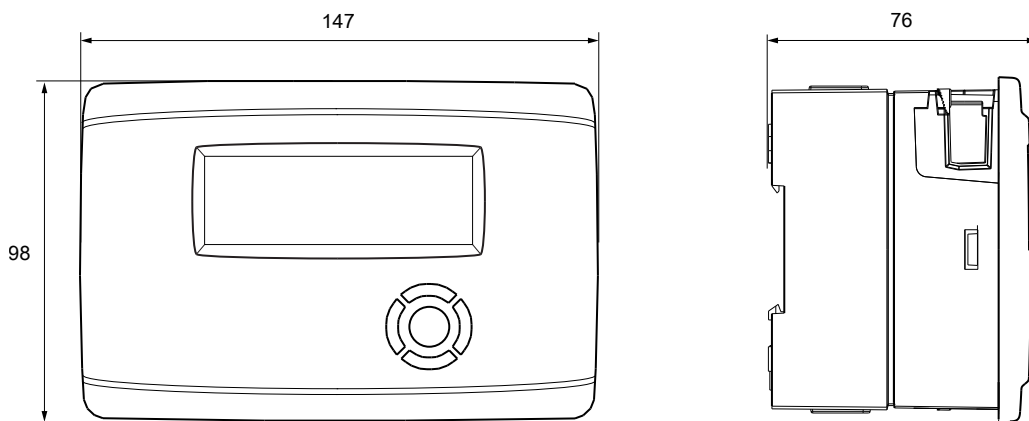
## Models

Article	Display	AI	DI	UI	AO	UA	DO	RS485 ports	TCP/IP ports	M-Bus ports	Power consumption
HCV191-DW-2	Yes	4	2	4	-	2	7	-	1	-	9.5 VA
HCV192-DW-2	Yes	4	2	4	-	2	7	1	1	-	10 VA
HCV203-DWM-2	Yes	4	2	4	1	2	7	1	1	1	11 VA

## Accessories

Article	
E3-DSP	External display
ED-T7	External touch screen display
E0R-3	Repeater 24 V
E0R230K-3	Repeater 230 V
IO-A15MIXW-3-BEM	Ardo expansion unit with 15 I/O:s
IO-A28MIXW-3-BEM	Ardo expansion unit with 28 I/O:s
IO-V19MIXW-1-BEM	Vido expansion unit with 19 I/O:s

## Dimensions



[mm]

## Documentation

All documentation can be downloaded from [www.regincontrols.com](http://www.regincontrols.com).