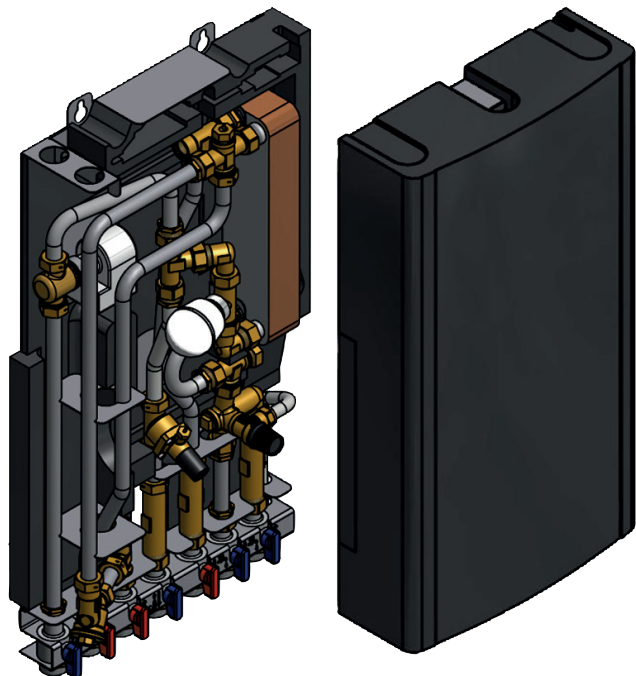




Cetetherm Micro HTC

Heating and domestic hotwater substation for apartments and single family houses



The Cetetherm Micro HTC heating substation is ready for installation to meet the complete central heating and hot water requirements. It is suitable for apartments and single-family houses that are direct connected to a heating network.

Cetetherm has many years of experience in district heating technology, which is put to expert use in the Micro HTC, resulting in its practical functionality and ease of use. All components are easily accessible for inspection and future servicing when required.

COMFORT

The Micro HTC is the simplest model in the Micro family. It has an automatic individual temperature setting for hot water. Micro HTC is fully prepared for individual temperature control for central heating by its valve and actuator. Domestic hot water is heated separately in a high capacity heat exchanger, this ensuring that the hot water is always as fresh as the incoming cold water main supply.

SIMPLE INSTALLATION

Compact dimensions, light weight, well arranged plumbing and ready for connection to individual temperature control for heating.

Micro HTC is mounted on an insulated frame and includes an insulated cover. Better insulation means less energy usage and better energy efficiency.

LONG-TERM SECURITY

The Micro HTC represents the most modern technology, and provides the answer to stringent demands for long-term performance. The heat exchanger plates and all piping are manufactured in acid-resistant stainless steel.

All components are closely matched and carefully tested to function in accordance with quality assurance system ISO9001:2008.

HEATING NETWORK – A GOOD SOURCE OF HEAT

A heating network is an efficient technology that meets the need for central heating and hot water in a simple, convenient and secure way.

OPERATION

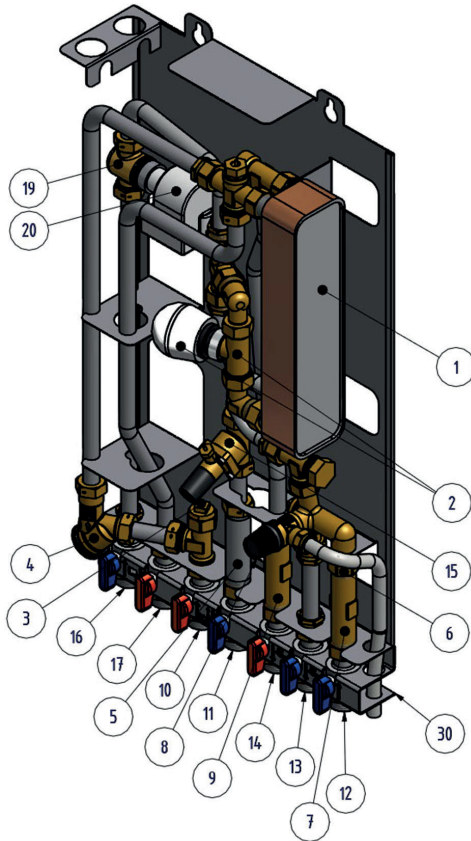
Micro HTC is used for the direct connection of apartments and single family houses to the heating network. With this kind of connection, the heating water from the mains network is used for heating the radiator system of the apartment or single family house.

For connection to underfloor heating system, the unit should be completed with a special control equipment, suited for this purpose.

A heat exchanger is used to transfer heat from the heating network medium to the hot water system. Heat is transferred through a package of thin, acid-resistant, stainless steel plates, which keeps the heating network medium separate from the domestic hot water system.

A self-sensing temperature regulator controls the hot water temperature. This measures the temperature of the hot water in the heat exchanger and automatically adjusts the outgoing flow.

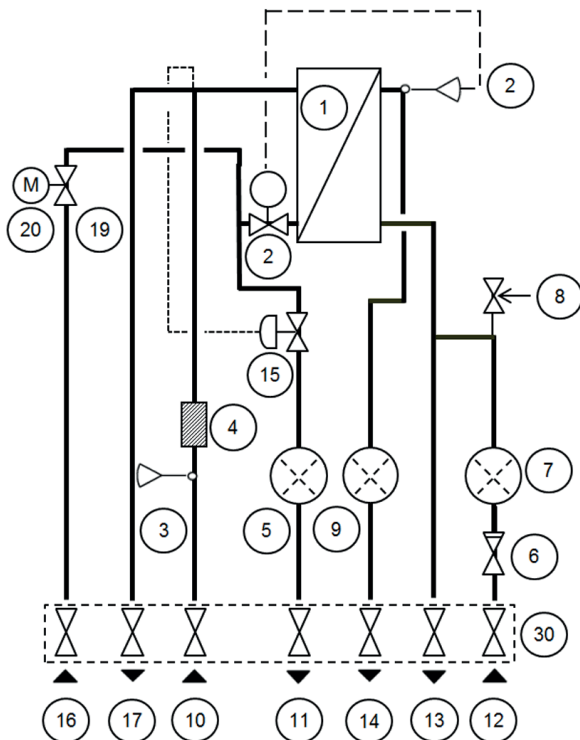
The energy supplier registers the use of energy. Measurement is done by recording the flow of heating network medium through the system, and by measuring the temperature difference between the medium's supply and return flow.



COMPONENTS

1. Heat exchanger for hot water
2. Control valve, thermostat and sensor for hot water
3. Temperature sensor connection, heating media supply
4. Filter for heating media
5. Adapter for energy meter
6. Check valve for cold water
7. Adapter for cold water flow meter
8. Safety valve for domestic hot water
9. Adapter for hot water flow meter
10. Heating network media, supply
11. Heating network media, return
12. Cold water, inlet (CW)
13. Cold water outlet (CW)
14. Hot water (HW)
15. Differential pressure controller
16. Heating circuit, return
17. Heating circuit, supply
19. Control valve, heating circuit
20. Actuator, heating circuit
30. First fix jig including shut-off valves (option)

DIAGRAMMATIC FLOW CHART FOR MICRO HTC



For underfloor heating systems

Underfloor heating systems must be separately controlled. The instructions of the underfloor heating supplier must also be checked.

AN EASILY MANAGEABLE, ECONOMICAL AND DURABLE SOURCE OF HEAT

The Micro HTC uses the heating network medium for heating the domestic hot water (providing an uninterrupted supply) as well as the water in the central heating system.

The Micro HTC is a wall-mounted unit and is very compact. The unit is discreet and to minimize transmission of operational sounds, we recommend installing it on well insulated walls or on walls of concrete.

Micro HTC requires no attendance or maintenance and has a very long operational life. In the event of requiring service or component exchange at some future date, all parts are easily accessible and individually replaceable.

To save time and efficiency the installation, Cetetherm offers a first-fix- jig including shut-off valves.

OPERATING DATA

	Heating network	Heating circuit	Hot water circuit
Design pressure, MPa	1.0	1.0	1.0
Design temperature, °C	100	100	100
Relief valve opening pressure, MPa	-	-	0.9
Volume, l	0.34	-	0.38

PERFORMANCE AT AVAILABLE PRIMARY DIFFERENTIAL PRESSURE 50-400 KPA

Designed temperature programme (°C)	Capacity (kW)	Primary flow (l/s)	Actual return temp. (°C)	Secondary flow (l/s)
Hot water circuit				
80-30/10-55	50	0.23	28	0.27
70-30/10-55	38	0.23	30	0.20
65-30/10-50	35	0.23	28	0.21
Heating circuit				
80-60	10	0.12	60	0.12

CONNECTIONS

First-fix jig	Internal thread	External thread
Heating network media supply	G ¾	G 1
Heating network media return	G ¾	G 1
Heating circuit supply	G ¾	G 1
Heating circuit return	G ¾	G 1
Cold water inlet	G ¾	G 1
Cold water outlet	G ¾	G 1
Hot water	G ¾	G 1

OTHER INFORMATION

Electrical data: 230 V, single phase, 25 W
Dimensions (cover): 430 mm width x 160 mm depth, 775 mm height
Dimensions (substation): 400 mm width x 120 mm depth x 630 mm height
Weight: 13 kg, cover 2 kg
Transport particulars: Total weight 20 kg, 0.08 m ³

OPTION

First fix jig with shut-off valves.

