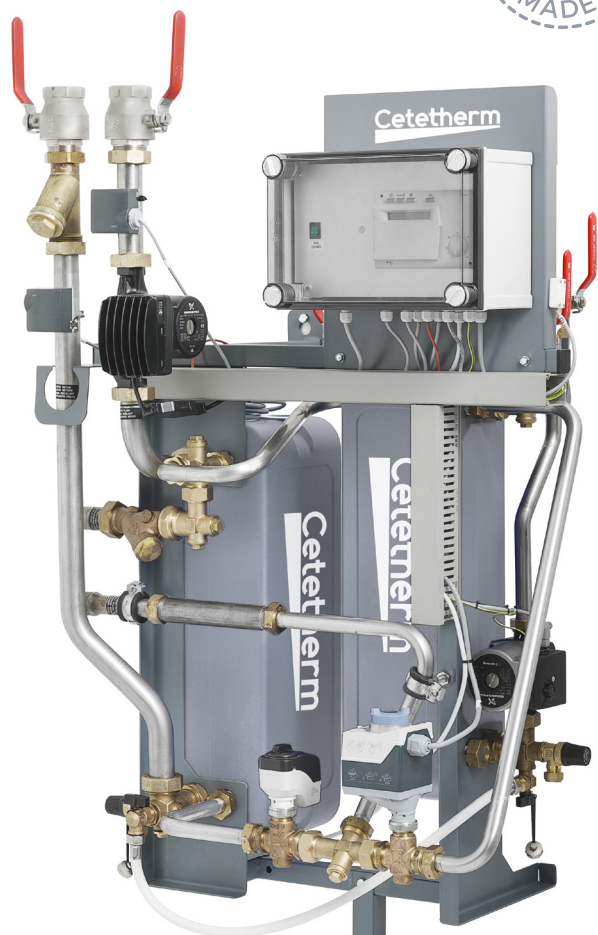




Cetetherm Midi Wall



District heating substation for multi-family houses, 10-30 dwellings

The Cetetherm Midi Wall is a complete, ready-to-install district heating substation for heating and hot water. Midi Wall is available in the sizes 70, 100, 130 and 160kW heating, with matching hot water output.

Cetetherm has many years of experience in district heating technology, which is put to expert use in the Midi Wall, resulting in well-planned pipe-work and with all components easily accessible for inspection and future servicing.

COMFORT

Midi Wall has fully automatic temperature control for heating and hot water. The outside temperature is used to control heating. The hot water temperature is set and maintained at the desired temperature.

To achieve the very best control performance and lowest return temperature, Midi Wall has been equipped with a DHW Heat Exchanger in two stroke.

SIMPLE INSTALLATION

Compact dimensions, light weight, well-planned pipe runs and factory-installed interior electrical routing all make installation very simple. A pre-programmed controller simplifies commissioning and allows immediate start-up.

LONG-TERM SECURITY

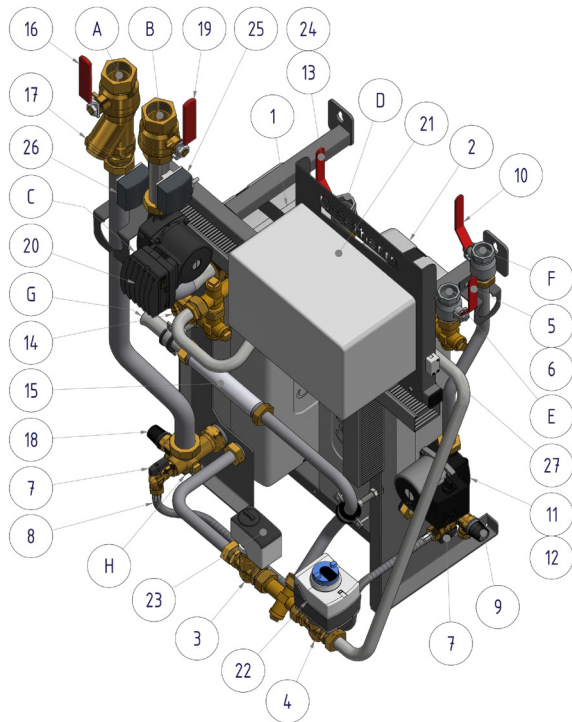
The Midi Wall represents the most modern technology, and provides the answer to stringent demands for long-term performance. The heat exchanger plates and all piping are manufactured in acid-resistant stainless steel. Cetetherm AB is externally certified for ISO 9001, ISO 14001 and ISO 45001. These certifications ensure our systematic work to deliver safe products to satisfied customers, with minimal environment impact, in combination with a safe and sound working environment.

Midi Wall is CE-marked to certify that the substation conforms to international safety regulations. To maintain the validity of the CE marking, only identical replacement parts may be used.

EXTRA HEATING CIRCUIT

Midi Wall can be equipped with a very compact designed 2nd heating circuit, up to 100 kW.

Suitable for example to ventilation circuits or floor heating circuit.

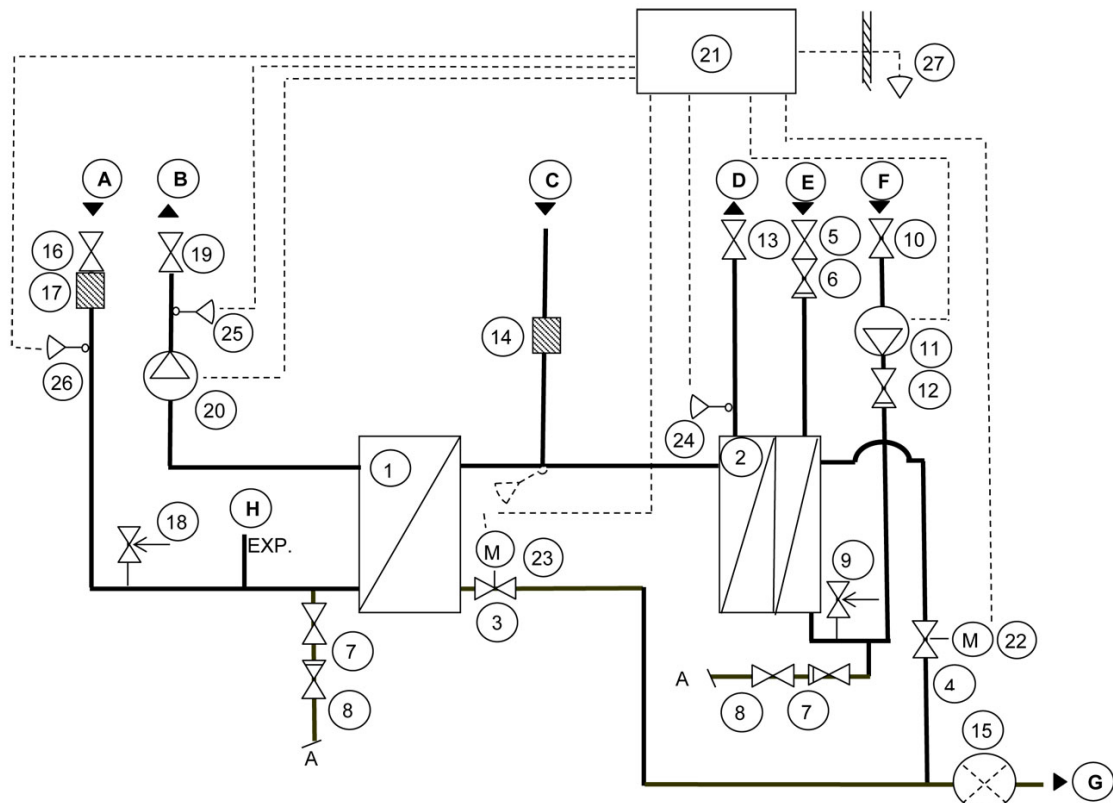


COMPONENTS

1. Heat exchanger, heating
 2. Heat exchanger, DHW
 3. Control valve, heating
 4. Control valve, DHW
 5. Shut-off valve, CW
 6. Non-return valve, CW
 7. Topping up, incl shutt-off valves and non-return valve
 8. Hose
 9. Safety valve, CW
 10. Shut-off valve, DHWC
 11. Pump, DHWC
 12. Non-return valve, DHWC
 13. Shut-off valve, DHW
 14. Strainer, primary in
 15. Dummy, heat meter
 16. Shut-off valve, heating return
 17. Strainer, heating return
 18. Safety valve, heating
 19. Shut-off valve, heat supply
 20. Pump, heating
 21. Control center *
 22. Actuator, DHW *
 23. Actuator, heating *
 24. Temperature sensor, DHW supply *
 25. Temperature sensor, heating supply *
 26. Temperature sensor, heating return *
 27. Terminal block to Temperature sensor, outdoor *
- A. Heating return
 B. Heating supply
 C. District heating supply
 D. DHW
 E. CW
 F. DHWC
 G. District heating return
 H. Connection expansion vessel

Connections for district heating are welded connections in DN25, for tap water side internal threaded connections in G 1" and for heating side internal threaded connections in G 1 1/2".

*) included depending on model



OPERATING DATA

	Primary side	Heating	DHW
Design pressure, PS	16 bar	6 bar	10 bar
Design temperature TS, °C	120	90	90
Relief pressure safety valve	-	3 bar	9 bar
Volume, heat exchanger, L	1.96-2.99/1.96	2.06-3.09	2.06

PERFORMANCE AT AVAILABLE PRIMARY DIFFERENTIAL PRESSURE 100-600 KPA

Type	Designed temperature programme (°C)	Capacity (kW)	Primary flow (l/s)	Actual return temp. (°C)	Secondary flow (l/s)
Hot water circuit					
Midi Wall 70	65-22/10-55	137	0.78	22	0.72
Midi Wall 100	70-25/10-55	143	0.78	19.4	0.76
Midi Wall 130					
Midi Wall 160					
Heating circuit 1					
Midi Wall 70	100-63/60-80 100-43/40-60	82 121.5	0.55 0.53	63 42.5	1.00 1.47
Midi Wall 100	100-63/60-80 100-43/40-60	105 146.4	0.71 0.63	63 42.3	1.28 1.77
Midi Wall 130	100-63/60-80 100-43/40-60	128.5 168.4	0.86 0.73	63 42.2	1.57 2.04
Midi Wall 160	100-63/60-80 100-43/40-60	162 163	0.96 0.71	63 41.4	2.05 1.97
Heating circuit 2					
1	100-33/30-60 100-33/30-45	77 90	0.29 0.34	33 31	0.62 1.44
2	100-33/30-60 100-33/30-45	99 100	0.37 0.37	33 30.9	0.79 1.60

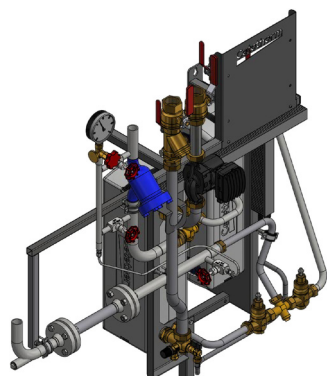
OTHER INFORMATION

Electrical data: 230 V 50 Hz, single phase, 290-315 W
Sound level: <70 dB(A), 1.6 meters above the floor and 1 meter from the sound source
Dimensions: 730 x 510 x 1115 mm (W x D x H)
Weight: 65-85 kg
Support leg is included in all deliveries

CONNECTIONS

	Weld	Thread
District heating supply	DN25	
District heating return	DN25	
Heating supply		G 1 ½"
Heating return		G 1 ½"
Cold water		G 1"
Hot water		G 1"
Hot water circulation		G 1"
Expansion vessel		G ¾"

OPTIONS



- 3-point HB measurement alt.
- 2+1-point HB measurement



- Floor stand